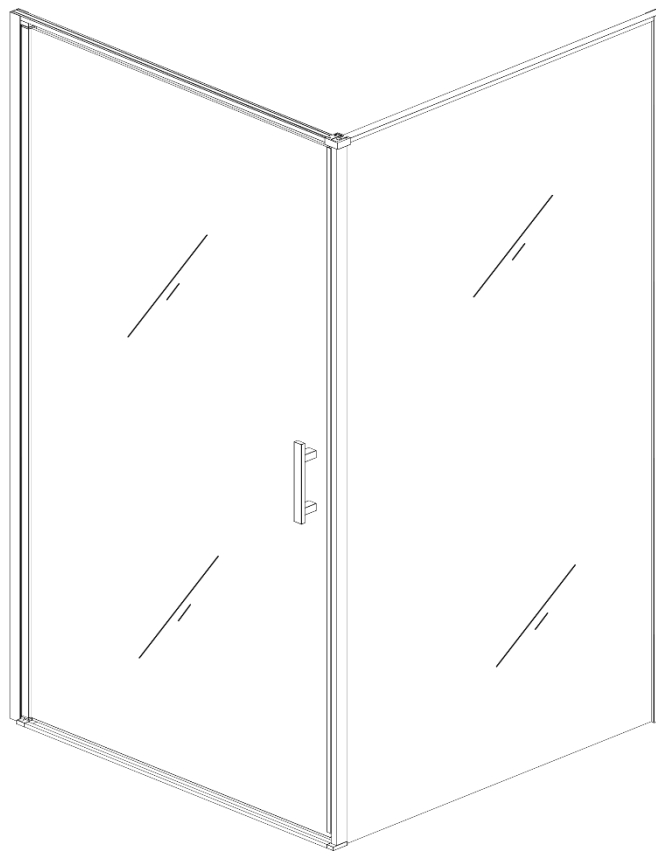




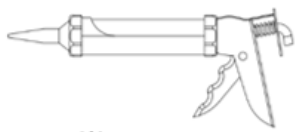
IMPORTANT SAFETY NOTES

- Under no circumstances should you attempt to drill through the glass, damage or injury may occur
- Please handle all glass with care, avoiding knocks and shock loading to all sides and edges. Safety glass cannot be reworked.
- Care should be taken when drilling into walls to avoid hidden pipes or electrical cables.

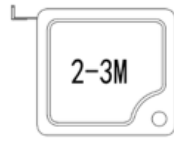


Ravenna 56 L Shape

Tools Required



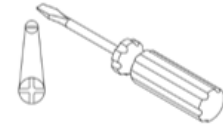
Silicone Gun



Tape Measure



Scissors



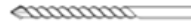
Philips Screwdriver



Hammer



Allen Keys



Drill Bit



Pencil



Power Drill



Level

Two people required. We recommend that a technically competent installer should undertake this installation.

Be sure you have all included parts and tools required before beginning installation and that you have plenty of space for assembly.

If you have ordered this shower enclosure with one of our shower trays, **please note** that tiling should be done before the shower tray is installed. This is so that the shower tray can be pushed up against the tiles and sealed with silicone.

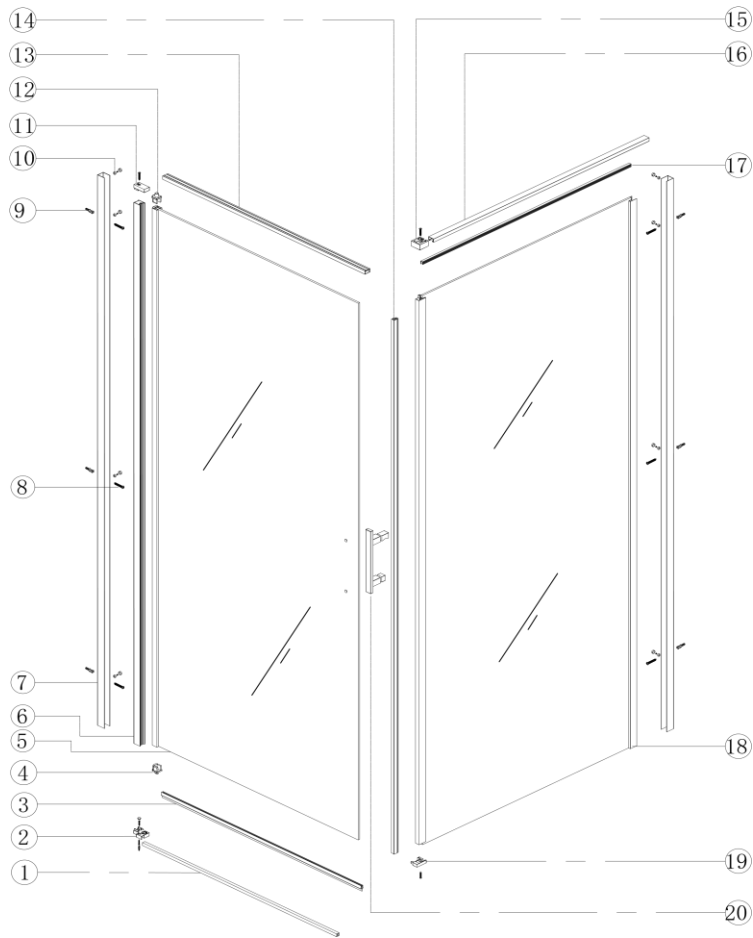
PRE-INSTALLATION AND TECHNICAL REQUIREMENTS



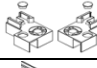
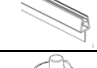
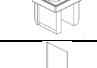
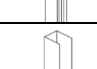
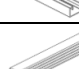
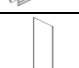
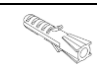
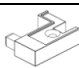


- All dimensions are shown in millimetres, except where otherwise indicated.
- Ensure that the enclosure set is fitted to a level floor and vertical wall surface.
- This instruction manual is applicable for both pre-tiled wall and plain walls.
- The wall fixings included with this product are suitable for solid walls only. Plasterboard or stud walls may require specialist fixings (not supplied).
- Due to the possibility of residual spray, the area around the outside of the shower tray should be tiled, or made otherwise water resistant.

IMPORTANT SAFETY NOTES

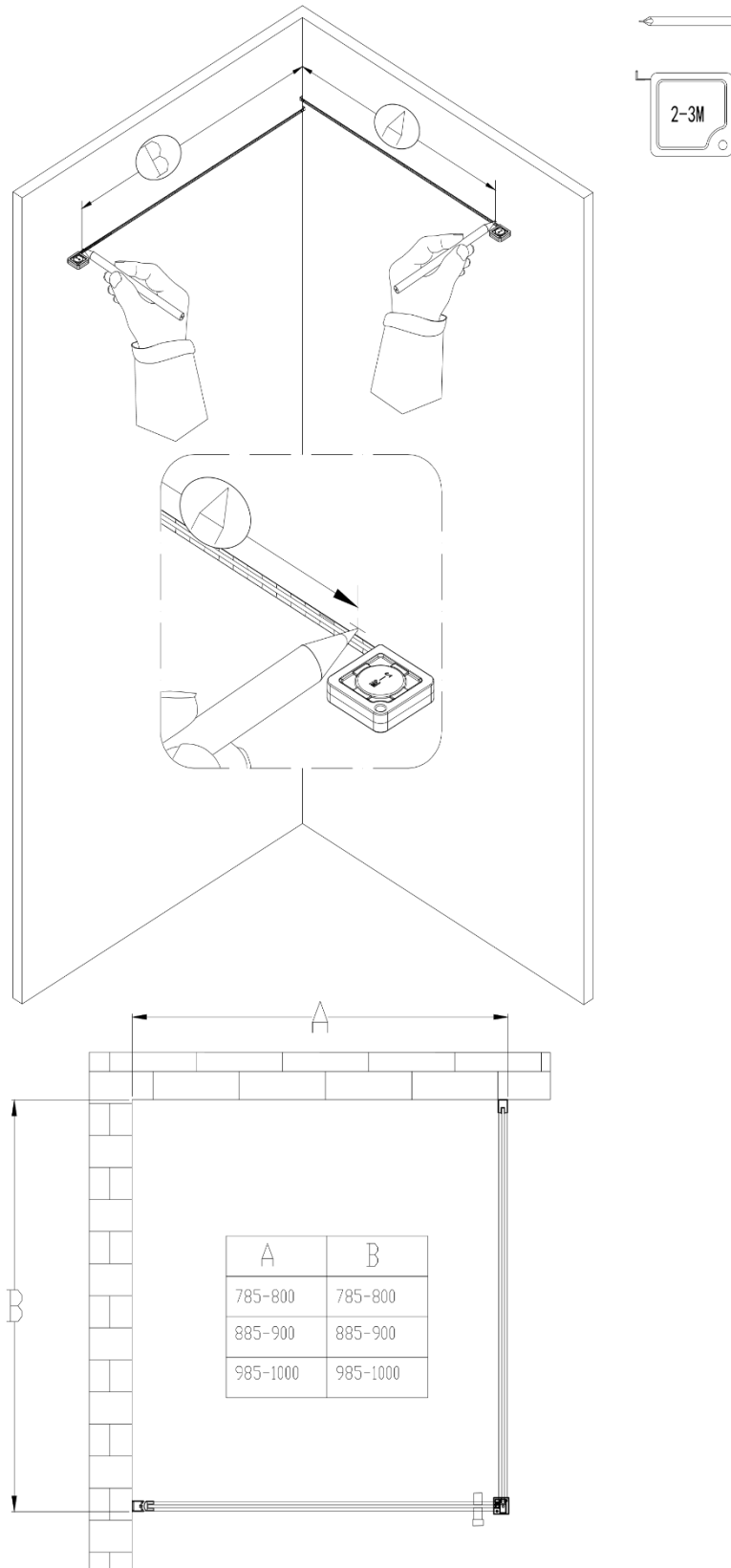
- Under no circumstances should you attempt to drill through the glass, damage or injury may occur
- Please handle all glass with care, avoiding knocks and shock loading to all sides and edges. Safety glass cannot be reworked.
- Care should be taken when drilling into walls to avoid hidden pipes or electrical cables.

Included Parts



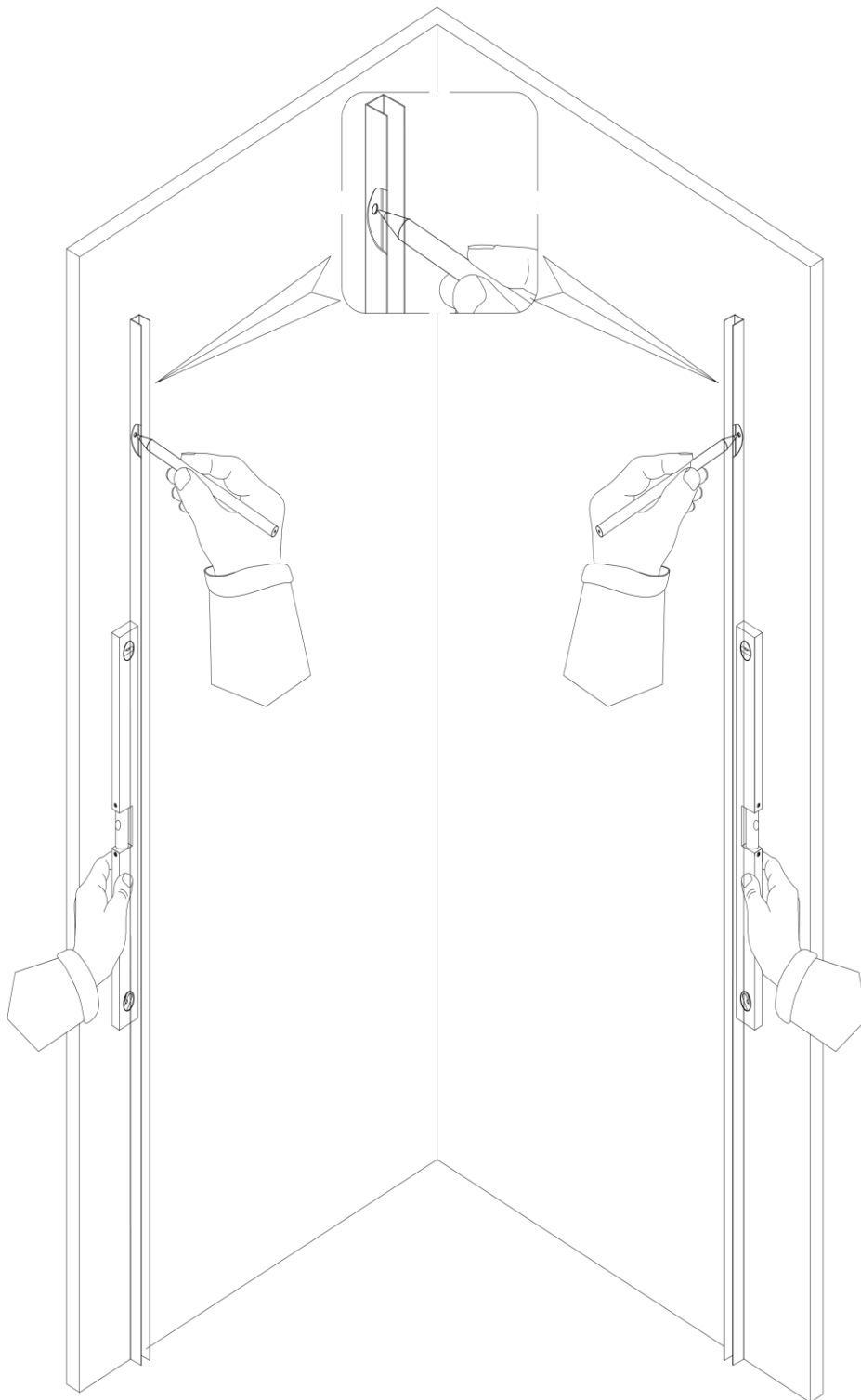
Ref	Description	Illustrations	Qty	Ref	Description	Illustration	Qty
①	Weather Bar		1	⑪	Aluminium Profile Cap		1
②	Fixing Piece		(R/L) 1	⑫	Door Piece		1
③	Seal		1	⑬	Top Rail		1
④	Door Piece		1	⑭	Magnetic Seal		1
⑤	Glass Door		1	⑮	Top Rail Bracket		1
⑥	Door Profile		1	⑯	Top Rail		1
⑦	Wall Profile		2	⑰	Side Panel Seal		1
⑧	Screws		11	⑱	Glass Side Panel		1
⑨	Wall Plugs		8	⑲	Fixing Piece		1
⑩	Screw Caps		8	⑳	Handle		1

1. Measure the size of your shower enclosure against your walls, marking where it will be installed.

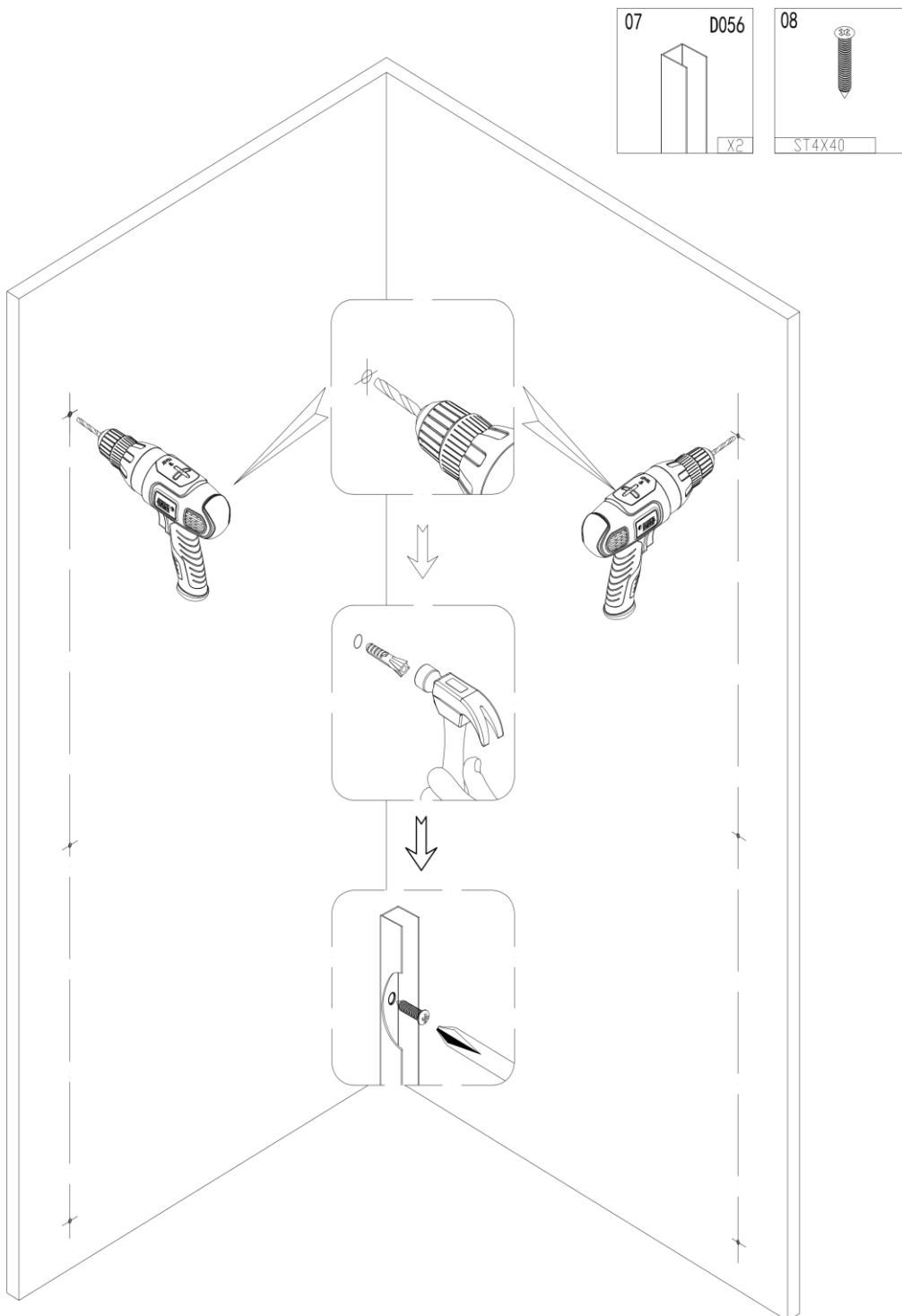


2. Place the aluminium profiles against the walls, marking where holes will be drilled.

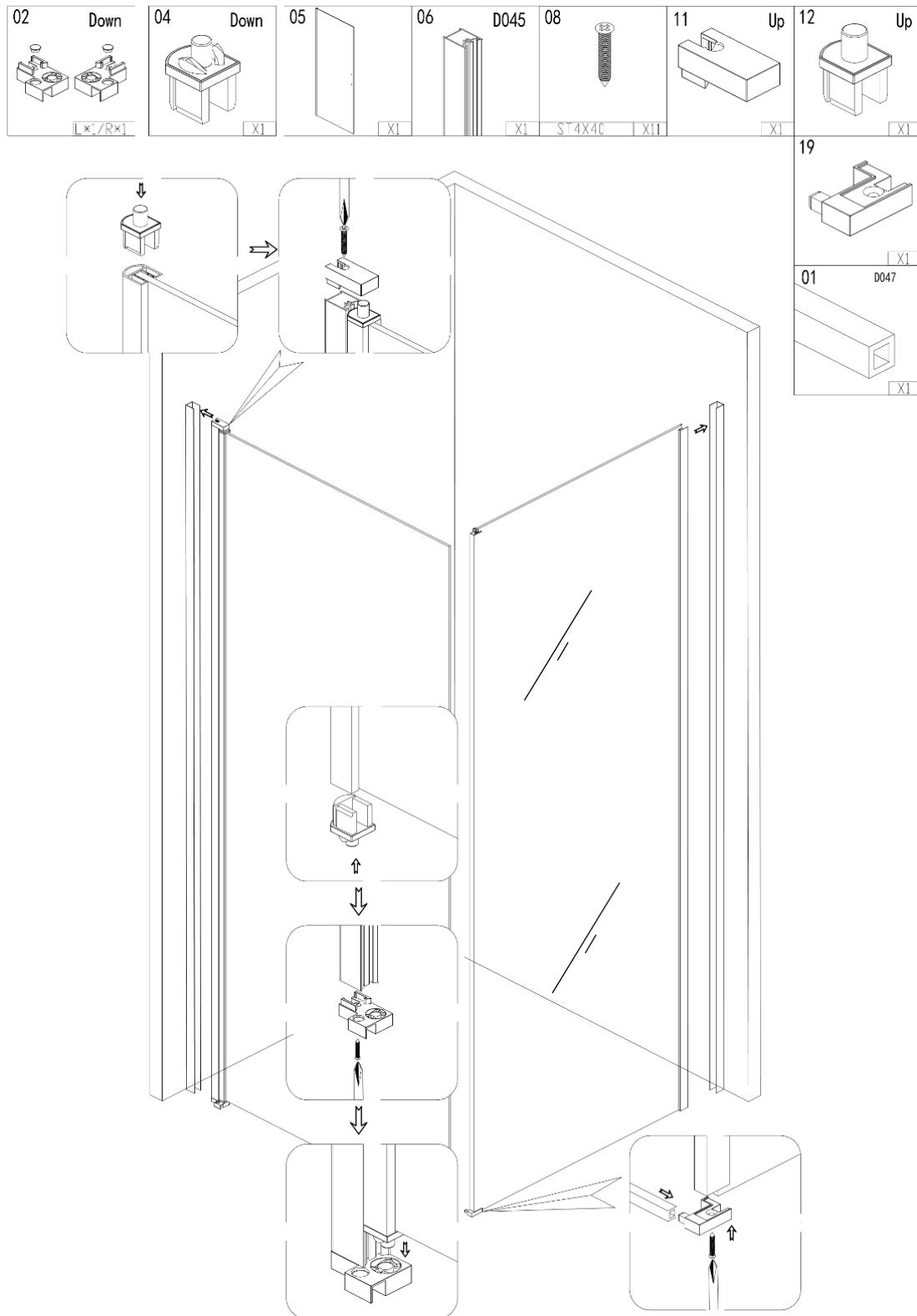
800MM-1000MM



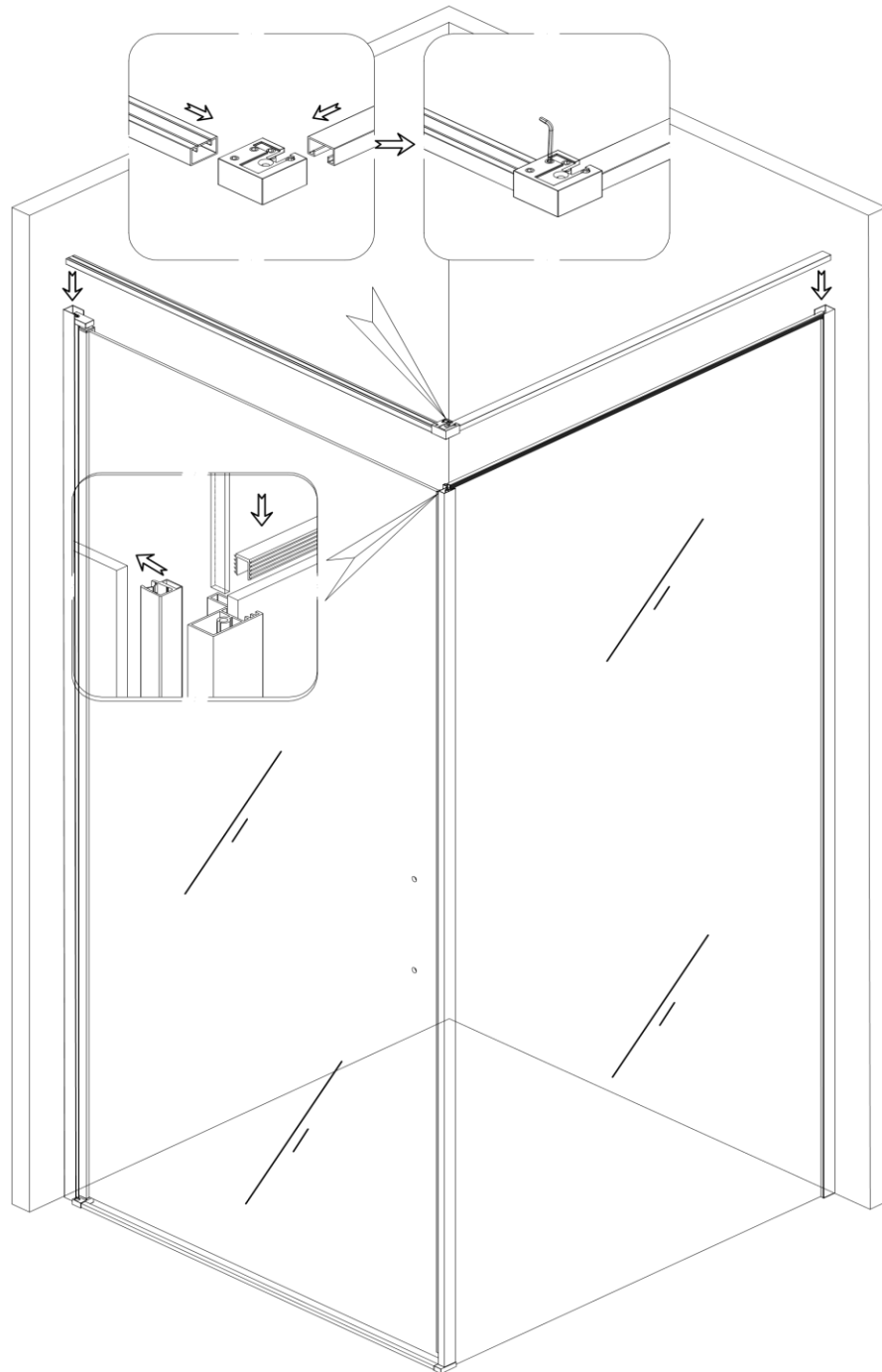
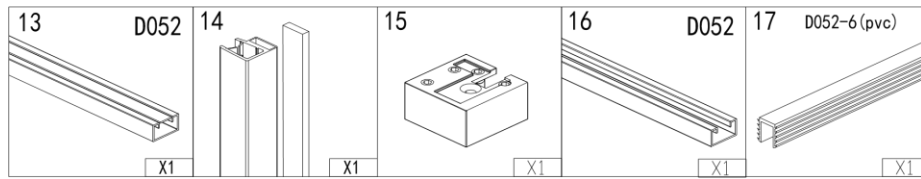
3. Drill holes and insert wall plugs, screwing the aluminium profiles onto the walls.



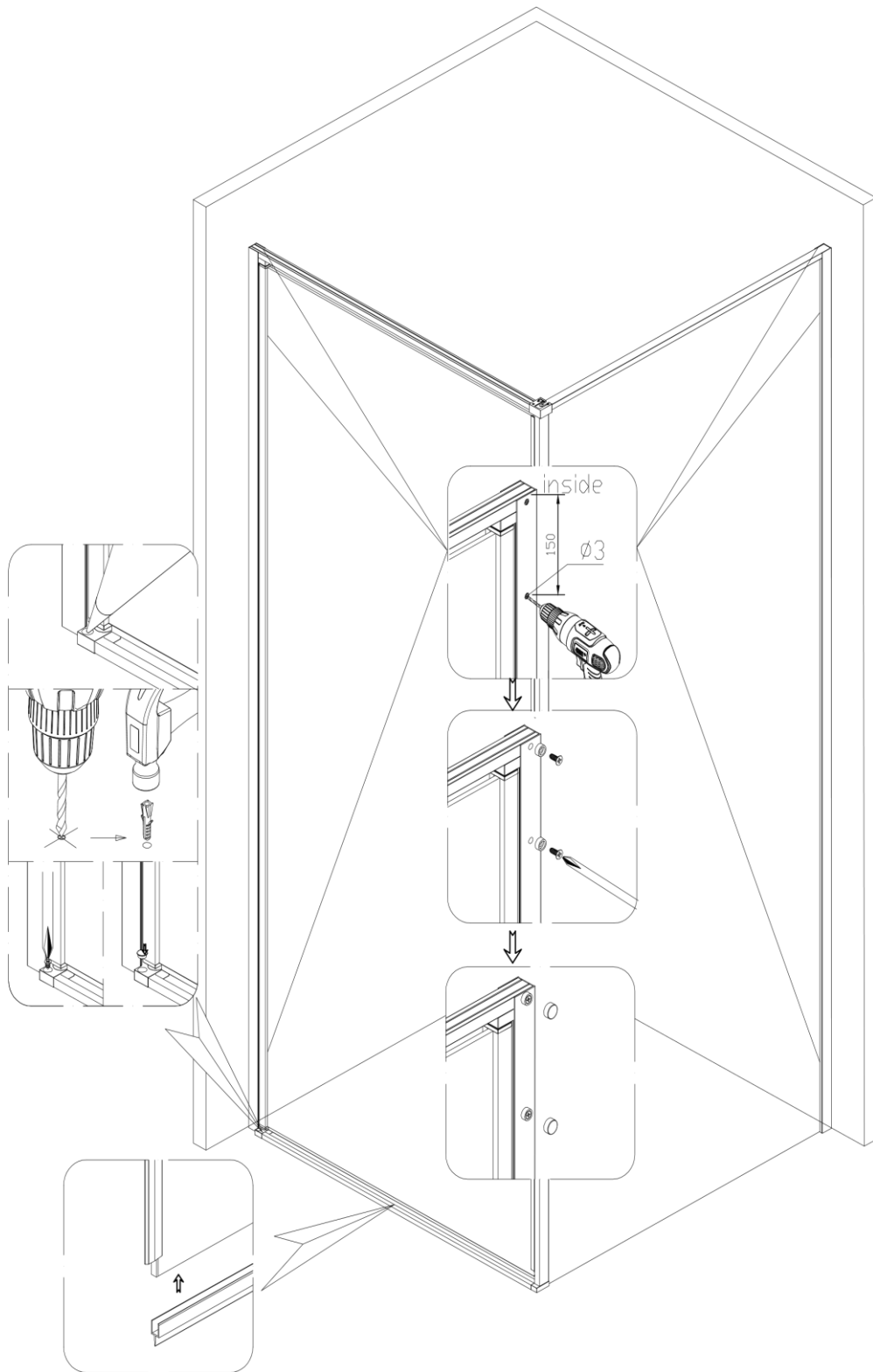
4. Attach part 4 to the pivot hinge attached to the glass door.
5. Slide the glass fixing pieces on either side of the door into position, screwing them into place.
6. Carefully lift the side panel and glass door into place.
7. Attach part 12 to the pivot hinge attached to the door.
8. Screw part 11 onto the aluminium profile.



- Slide seals onto the glass side panel and glass door.
- Attach the top rails.



11. Drill pilot holes in the aluminium profile. Screw the aluminium profile onto the profile along the glass door, inserting caps over holes.
12. Mark where holes for the fixing pieces should be drilled. Drill holes and insert plugs, screwing the fixing pieces into position.
13. Attach the bottom seal to the glass door.



- 14. Attached the door handle.
- 15. Silicone and allow to dry for 24 hours.

