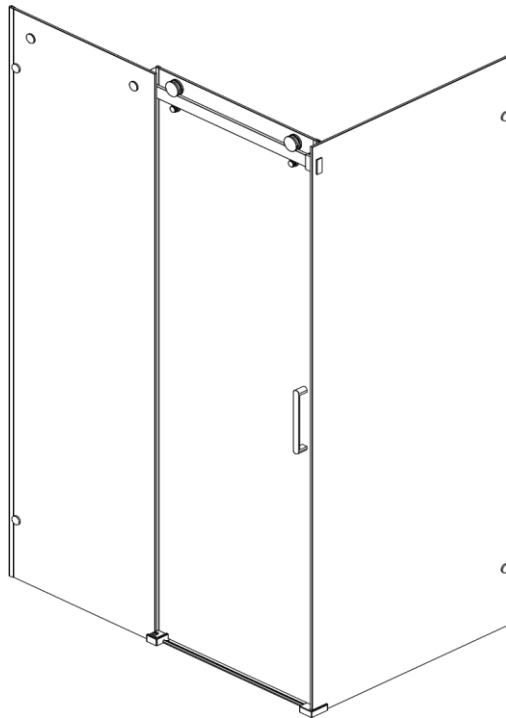




#### IMPORTANT SAFETY NOTES

- Under no circumstances should you attempt to drill through the glass, damage or injury may occur
- Please handle all glass with care, avoiding knocks and shock loading to all sides and edges. Safety glass cannot be reworked.
- Care should be taken when drilling into walls to avoid hidden pipes or electrical cables.

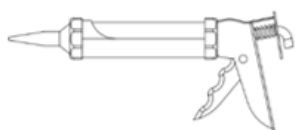


## Ravenna 17-2nd L shape

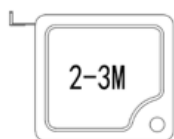


Scan this QR code for installation video.

## Tools Required



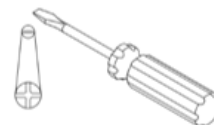
Silicone Gun



Tape Measure



Scissors



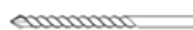
Philips Screwdriver



Hammer



Allen Keys



Drill Bit



Pencil



Power Drill



Level

Two people required. We recommend that a technically competent installer should undertake this installation.

Be sure you have all included parts and tools required before beginning installation and that you have plenty of space for assembly.

If you have ordered this shower enclosure with one of our shower trays, **please note** that tiling should be done before the shower tray is installed. This is so that the shower tray can be pushed up against the tiles and sealed with silicone.

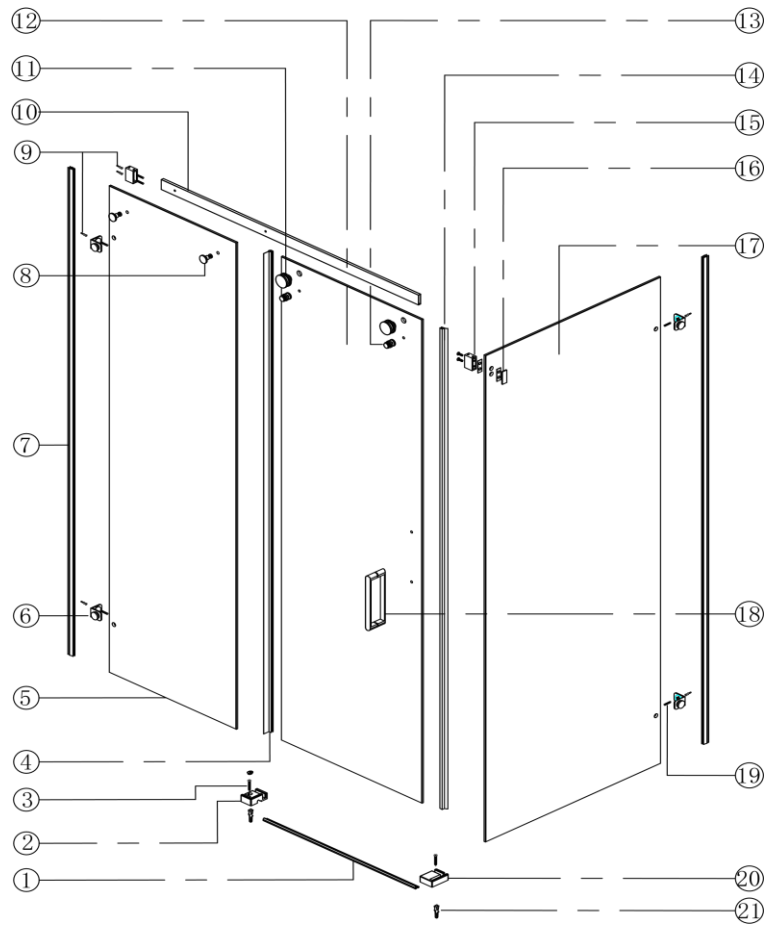
### PRE-INSTALLATION AND TECHNICAL REQUIREMENTS


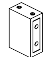

- All dimensions are shown in millimetres, except where otherwise indicated.
- Ensure that the enclosure set is fitted to a level floor and vertical wall surface.
- This instruction manual is applicable for both pre-tiled wall and plain walls.
- The wall fixings included with this product are suitable for solid walls only. Plasterboard or stud walls may require specialist fixings (not supplied).
- Due to the possibility of residual spray, the area around the outside of the shower tray should be tiled, or made otherwise water resistant.

### IMPORTANT SAFETY NOTES

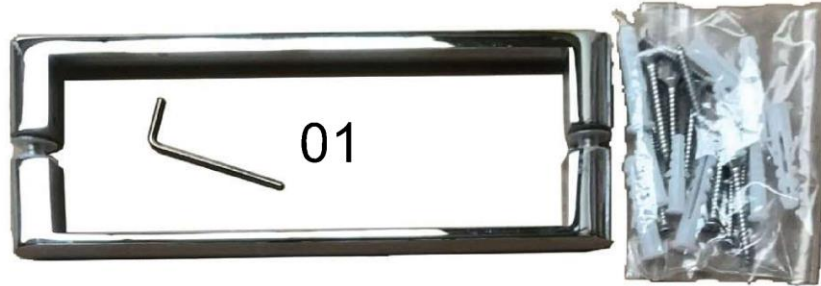
- Under no circumstances should you attempt to drill through the glass, damage or injury may occur
- Please handle all glass with care, avoiding knocks and shock loading to all sides and edges. Safety glass cannot be reworked.
- Care should be taken when drilling into walls to avoid hidden pipes or electrical cables.

# Included Parts

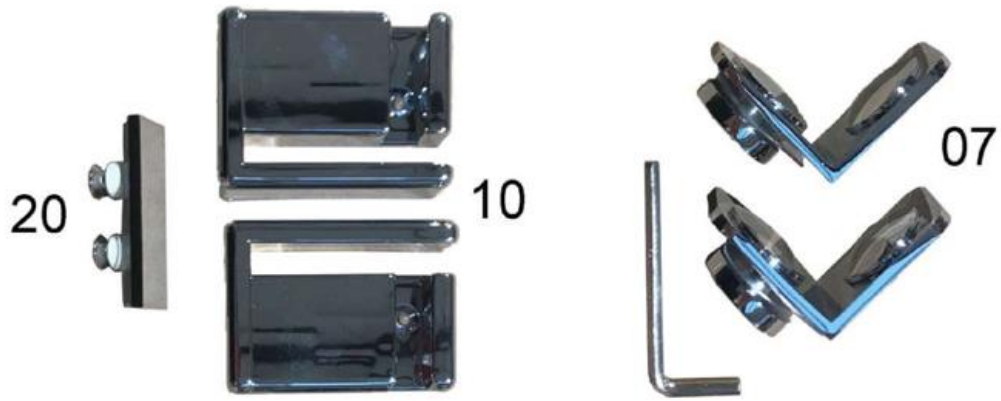


Ref	Description	Illustrations	Qty	Ref	Description	Illustration	Qty
①	Bottom Seal		1	⑫	Glass Door		1
②	Fixing Pieces		(R/L) 1	⑬	Caps		2
③	Screws		2	⑭	Door Seal		1
④	Door Seal		1	⑮	Top Rail Brackets		2
⑤	Glass Panel		1	⑯	Top Rail End Plate		1
⑥	Brackets		4	⑰	Glass Panel		1
⑦	Side Panel Seals		2	⑱	Handles		1
⑧	Caps		2	⑲	Screws		6
⑨	Wall Plugs		6	⑳	Fixing Pieces		(R/L) 1
⑩	Top Rail		1	㉑	Wall Plugs		2
⑪	Door Rollers		2				

04,08,11,12



D56 Accessory Box



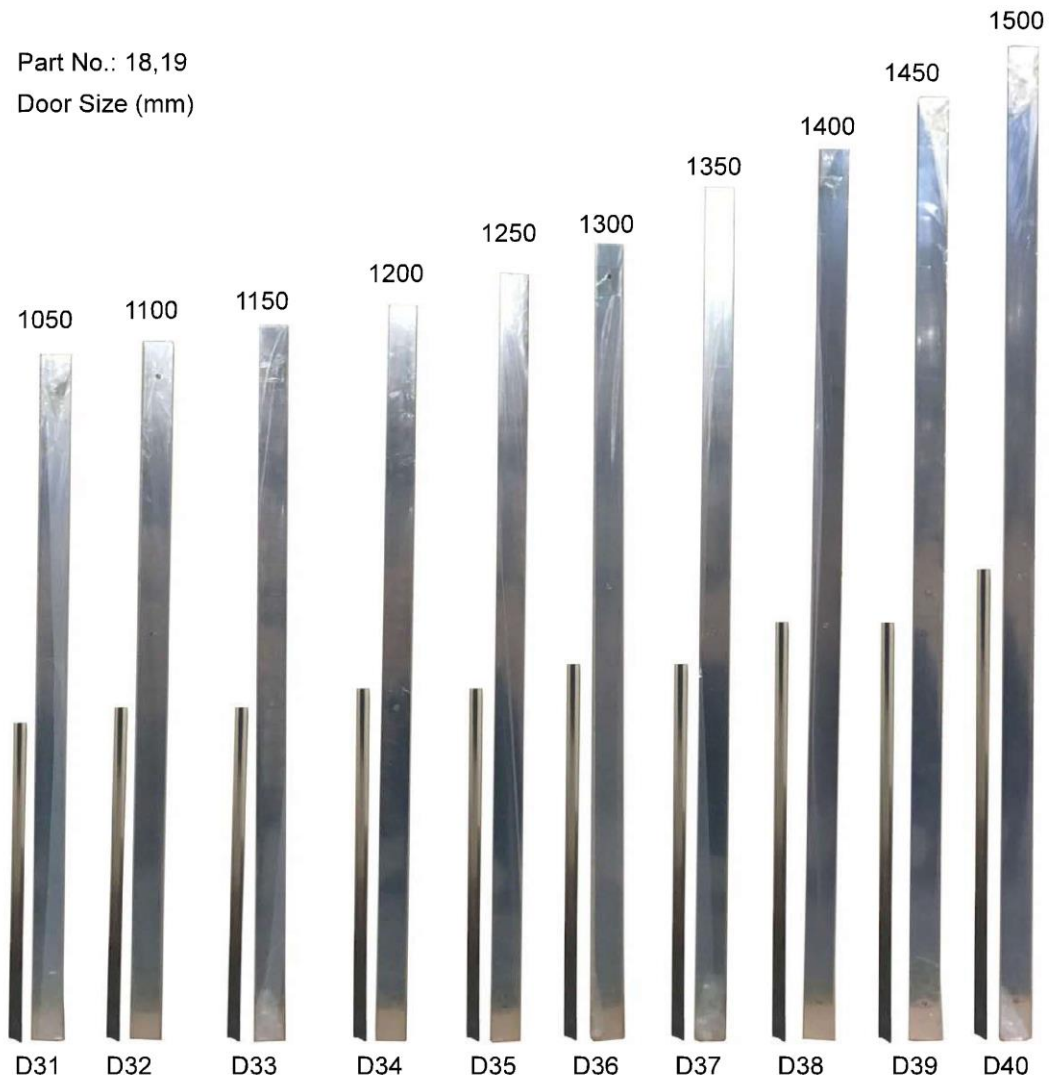
D57 Accessory Box

22 15 13 14



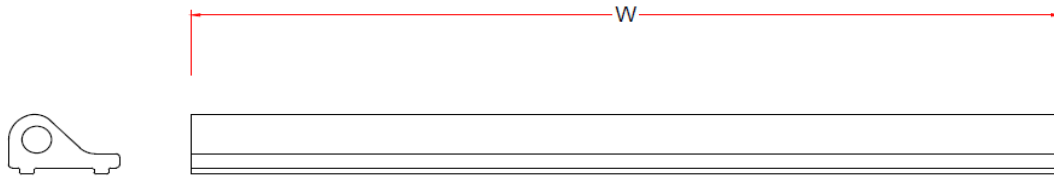
E66 Accessory Box

Part No.: 18,19  
Door Size (mm)



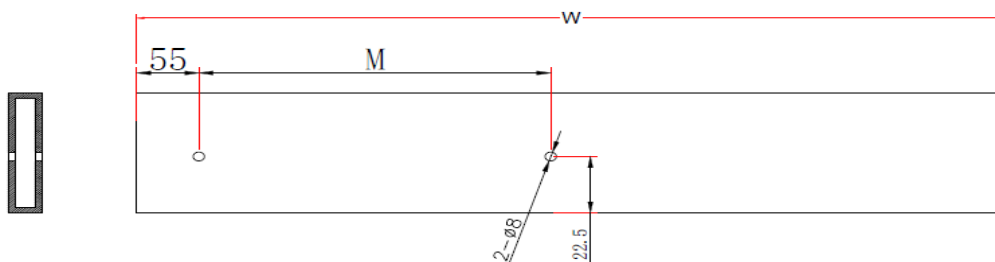
Aluminium Bar & Top Rail Accessory Box

Note: The aluminium bars need to be cut to length. Please find the required length shown on the table based on your shower enclosure's door size.



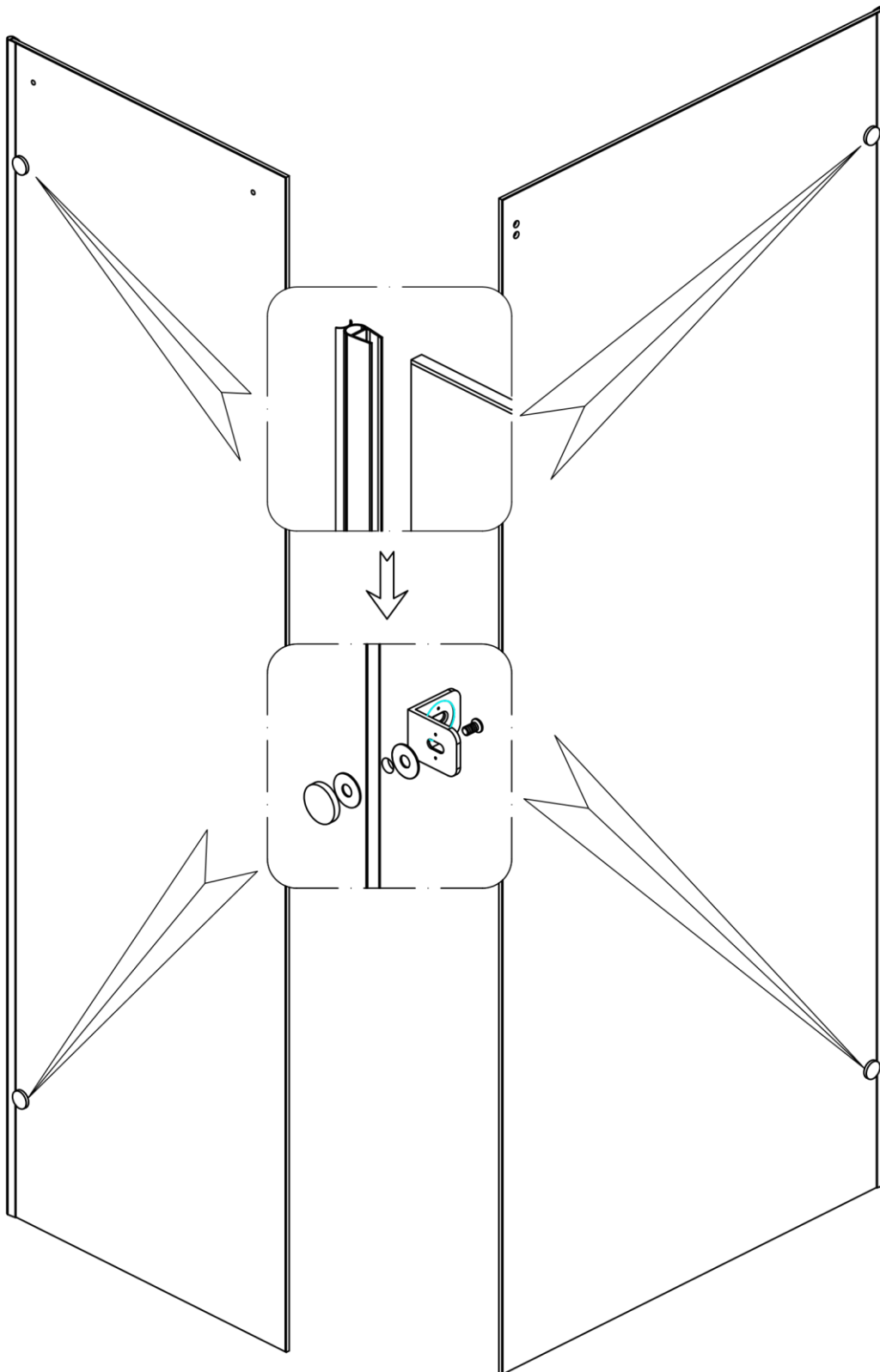
Door Size (mm)	Weather bar W (mm)
1050/1000*1950	490
1150/1100*1950	540
1250/1200*1950	590
1350/1300*1950	640
1400/1450/1550*1950	690
1500*1950	740

**Attention: Please cut this aluminium bar from right side, make sure the distance between the hole and the edge match the one shown on this diagram.**



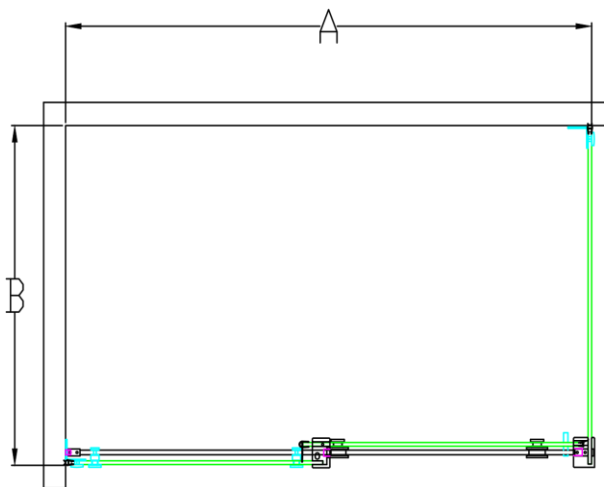
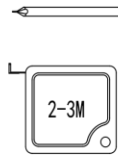
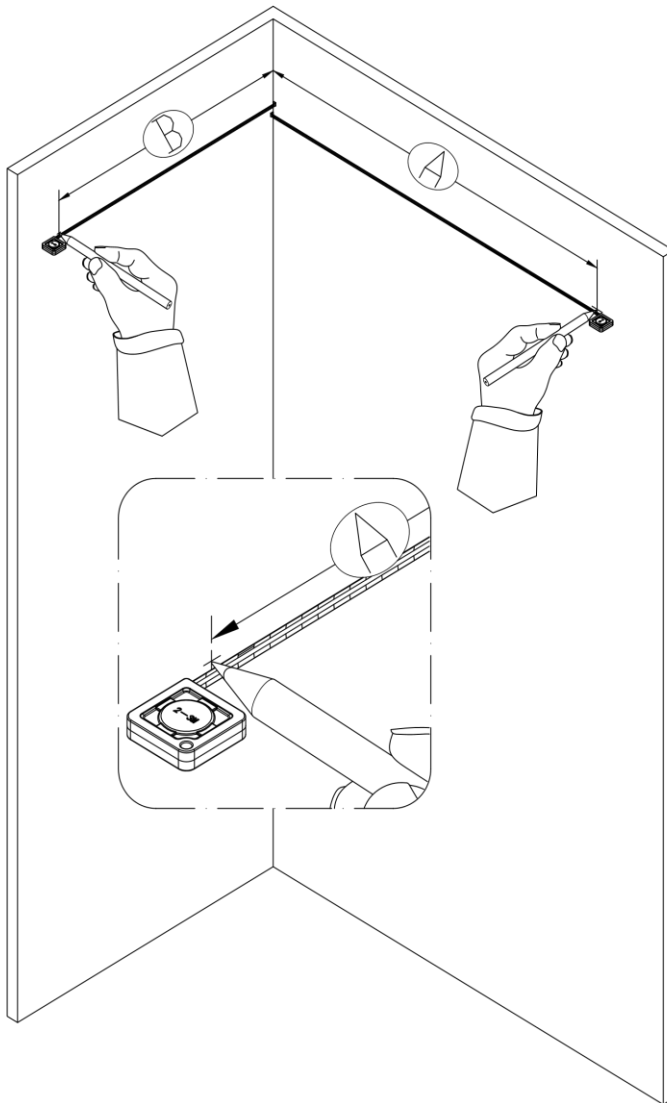
Door Size (mm)	W (mm)	M (mm)
1000*1950	970	360
1050*1950	1020	410
1100*1950	1070	
1150*1950	1120	460
1200*1950	1170	
1250*1950	1220	510
1300*1950	1270	
1350*1950	1320	560
1400*1950	1370	
1450*1950	1420	610
1500*1950	1470	

# Sealing strip and brackets assembly



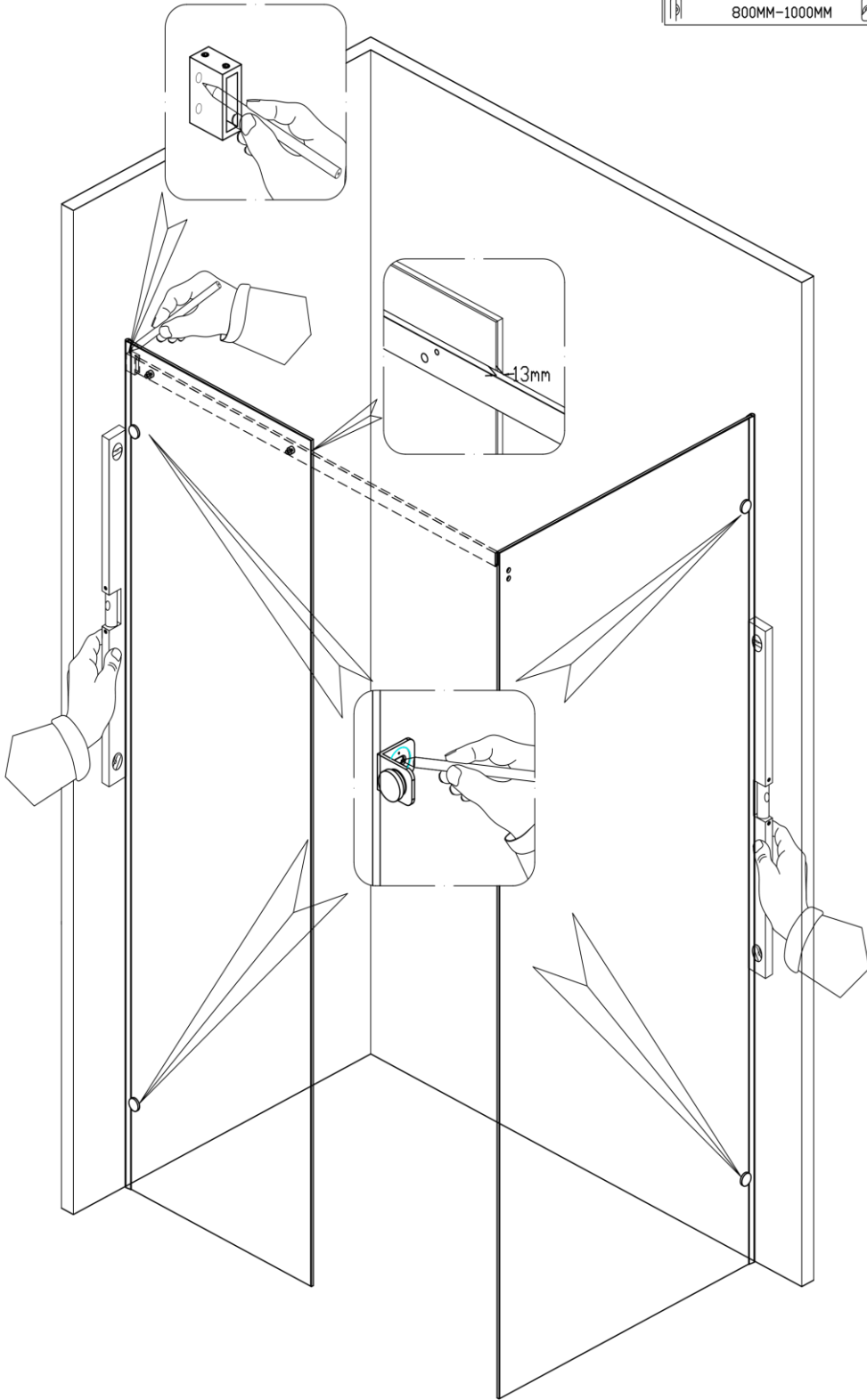
1. Attach both side panel seals to the glass side panels.
2. Attach the four brackets to the glass side panels.

# Glass side panel assembly

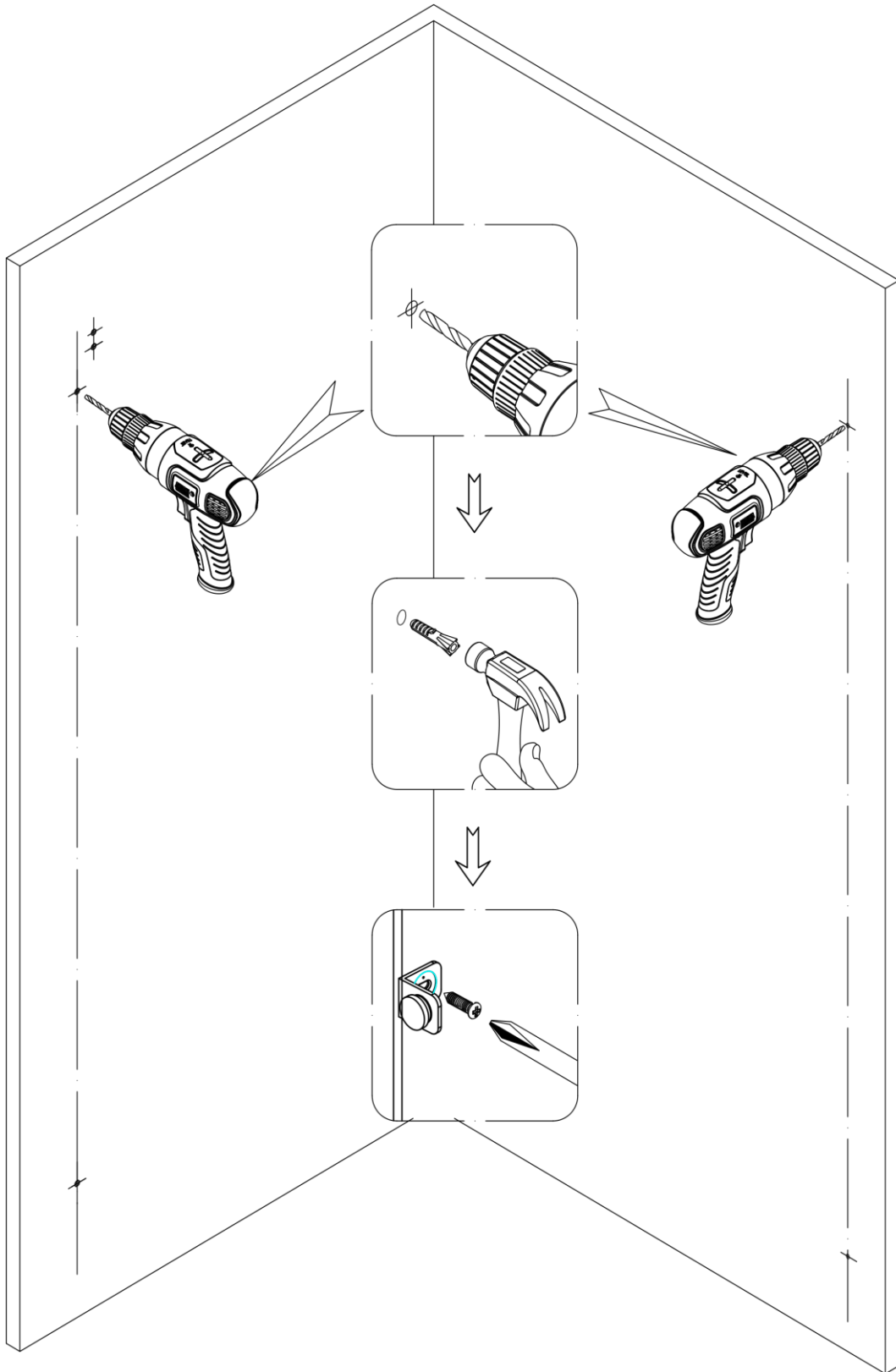


size	B	A
750	730	—
800	780	—
900	880	—
1000	980	1000
1100	—	1100
1200	—	1200
1300	—	1300
1400	—	1400
1500	—	1500

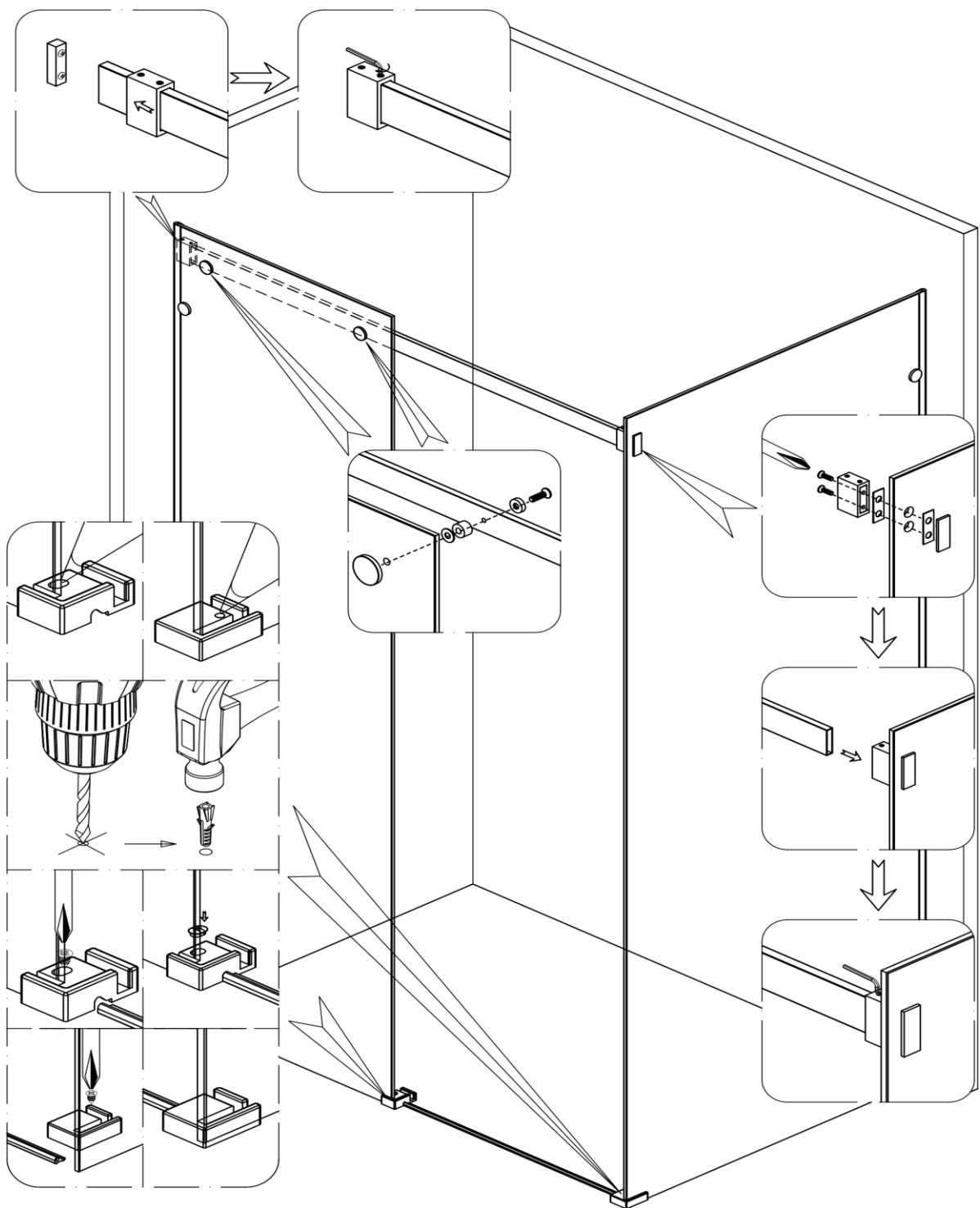
3. Measure and mark where the glass side panels will be positioned.



4. Using a spirit level and a pencil, be sure that the side panels will be level before marking where holes will be drilled for the brackets and top rail.

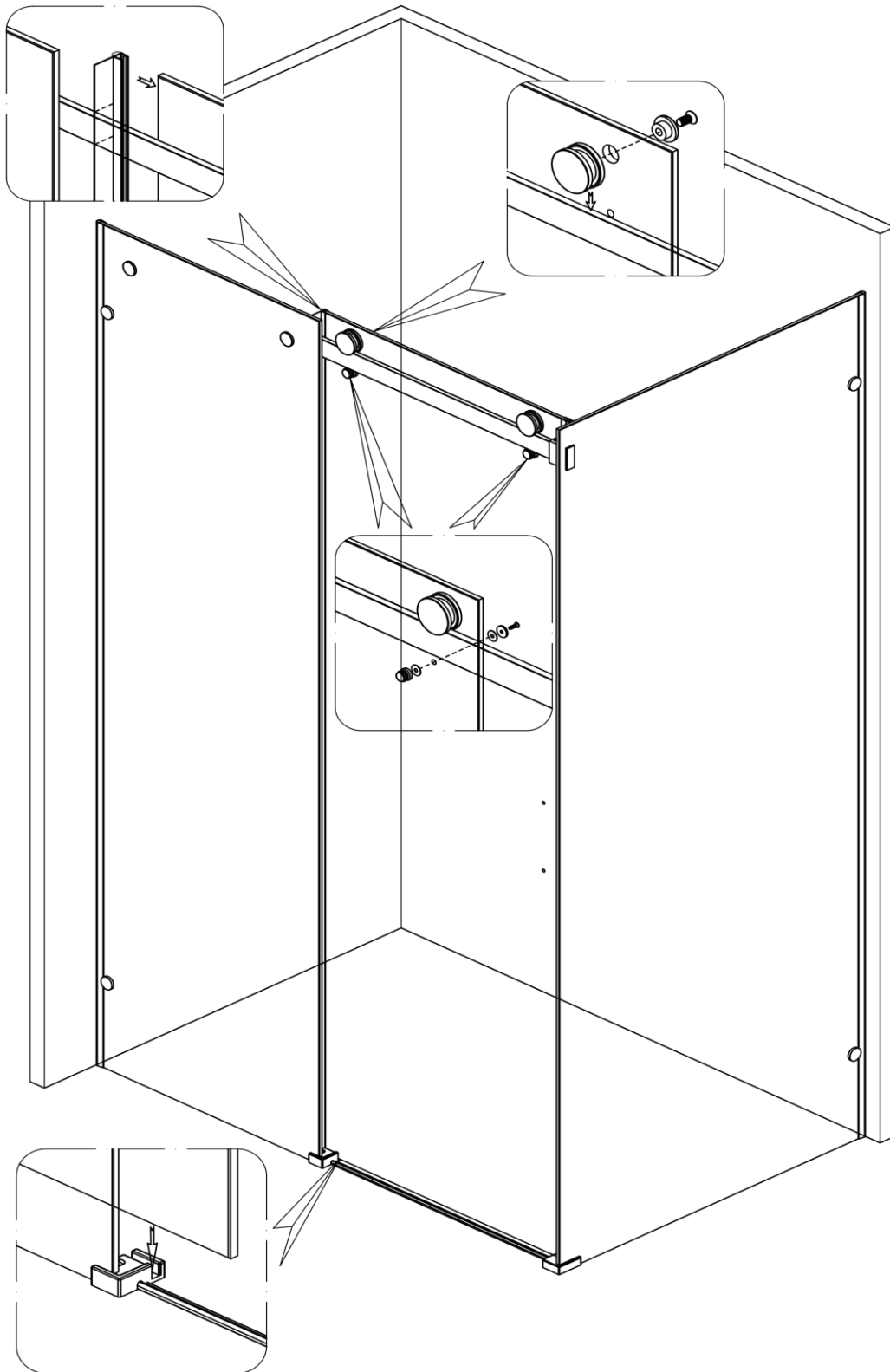


5. Drill holes and insert wall plugs.
6. Carefully lift and screw the glass side panels onto the walls.



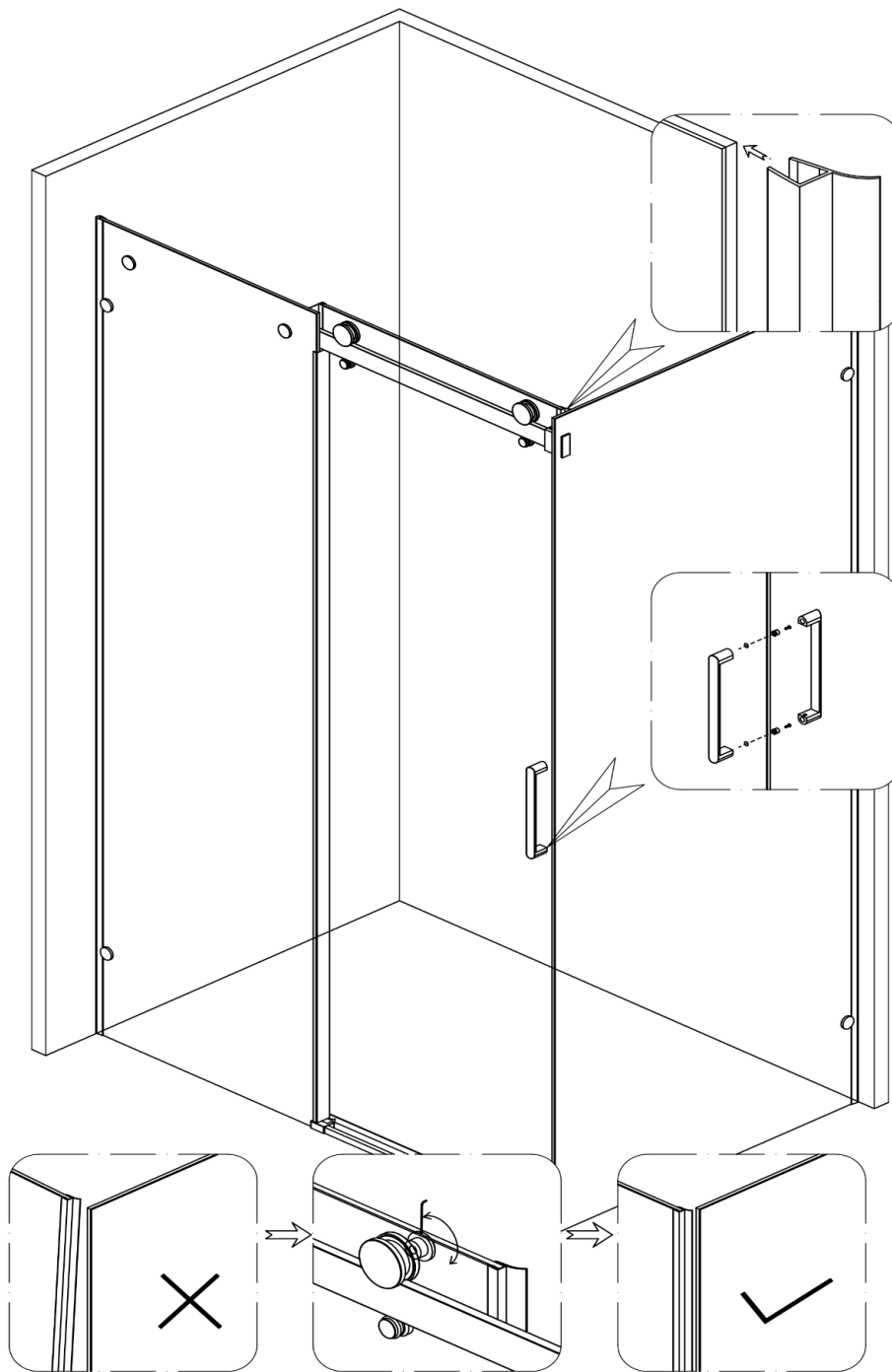
7. Screw the top rail brackets to the wall and opposite glass side panel, attaching the top rail and tightening into place.
8. Attach the top rail to the glass panel as it sits against for added support.
9. Drill holes into the shower tray or floor for the side panel fixing pieces, insert plugs and screw the fixing pieces into place.

# Glass door panel assembly



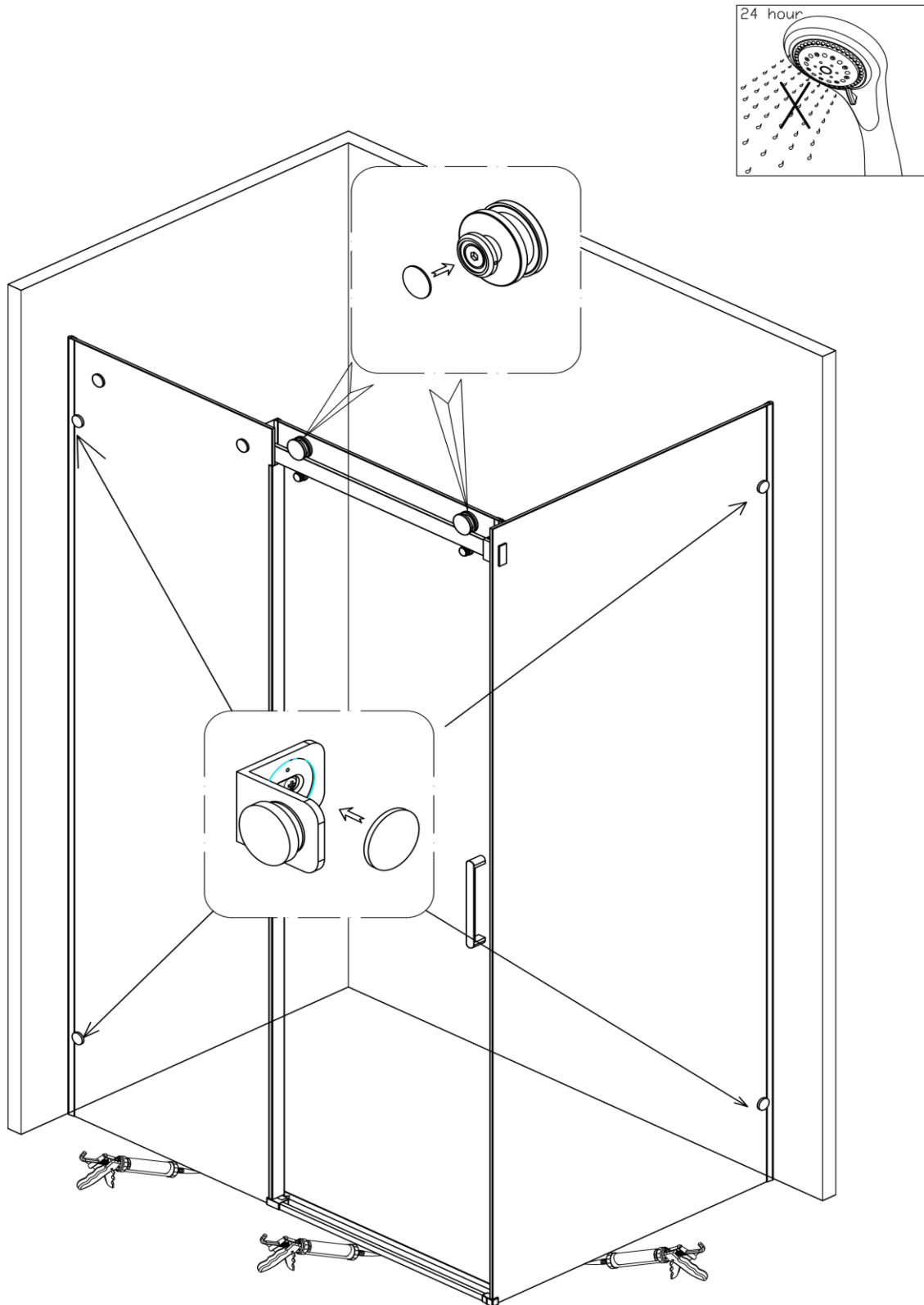
10. Attach the rollers to the door.

11. Carefully lift the glass door onto the top rail, being sure that it slots into the fixing piece on the floor.



- 12. Attach seal to the glass door.
- 13. Attach handles to the glass door.

# Apply silicone sealant



14. Attach caps onto brackets and rollers.

15. Silicone around the bottom of the glass, allowing it to dry for 24 hours.