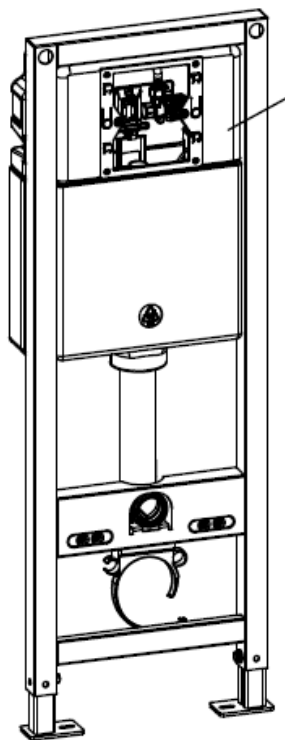




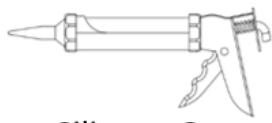
**DUROVIN**  
BATHROOMS

## **Installation**

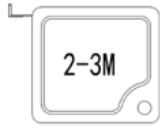
### **Wall Hung Frame**



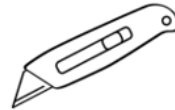
## Tools required



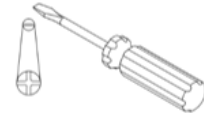
Silicone Gun



Tape Measure



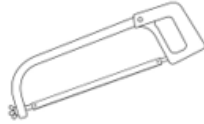
Retractable Blade Knife



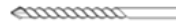
Philips Screwdriver



Hammer



Hacksaw



Drill Bit



Pencil



Power Drill



Spanner



Level

## Important Information

PLEASE READ THESE INSTRUCTIONS THOROUGHLY BEFORE STARTING INSTALLATION.

- Check the pack and make sure you have all the parts listed.
- Remove all cardboard protection attached to the frame prior to installation. All floor types need to be as flat and level as possible.
- When drilling or fixing into walls or floor it is essential that you check for pipes or wires before commencing.

## General Care & Safety

- Wall plugs supplied are ONLY suitable for solid stone/brick walls. They are not suitable for use in aerated blocks or similar. If fixing to a stud wall, sufficient extra internal reinforcements must be made to the wall.
- Screws must locate into suitably reinforced studs and noggins.
- Take care using power tools – The use of a residual current device (RCD) is recommended.
- Beware of hidden cables or pipes when drilling. This product can be dangerous if installed incorrectly.
- This product must be installed by a qualified plumber or installer. It is the installer's responsibility to check that the fixings are suitable for the installation in hand.
- Do not add caustic chemical substances (e.g. containing chlorine compounds or similar) into the cistern. These can damage the valve components and cause failure.

1. Brass angle valve(G1/2")

2. Fixation frame

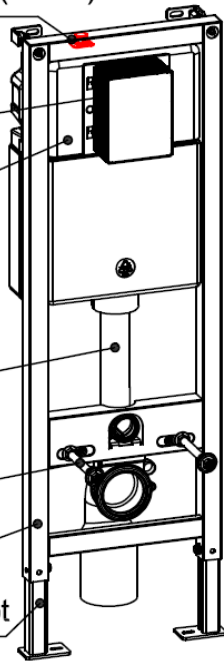
3. HDPE cover

4. L pipe

5. Screw unit

6. Metal frame

7. Flexible frame foot



8. Fixation parts

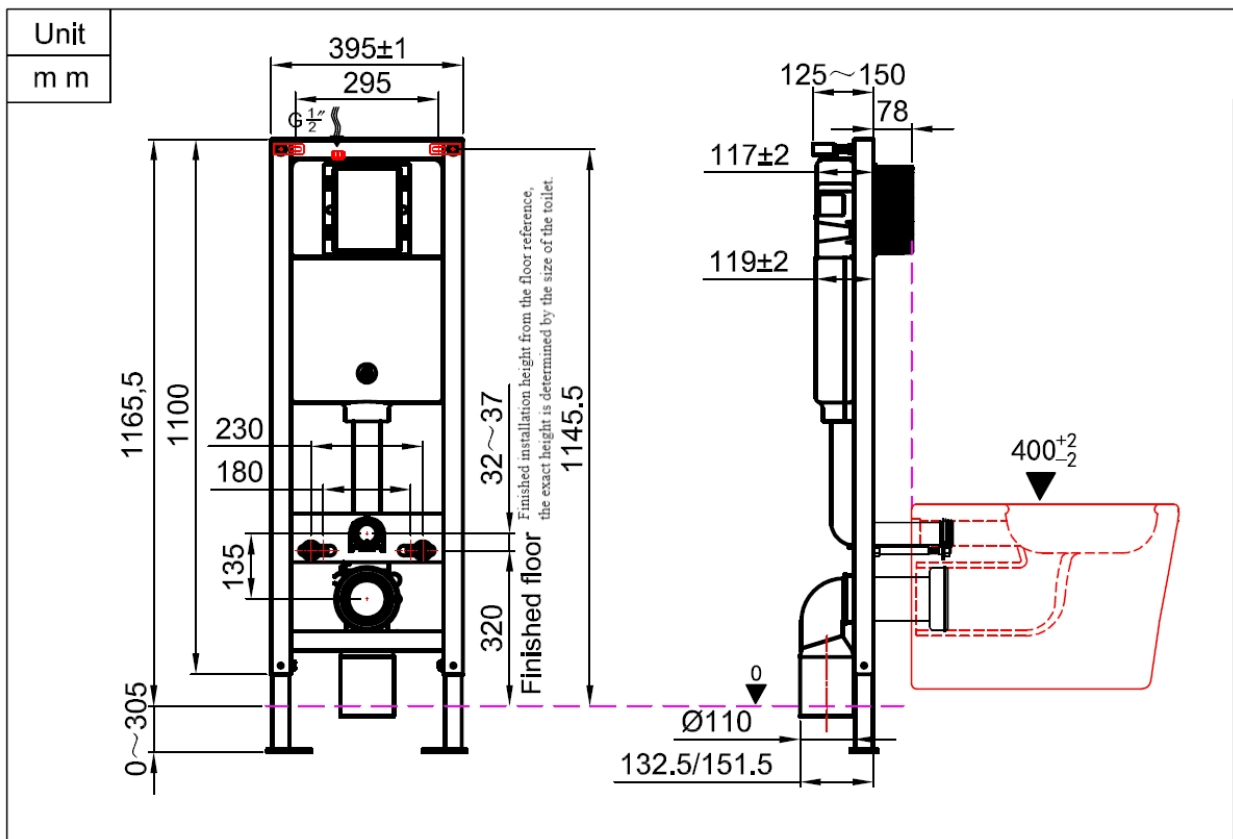
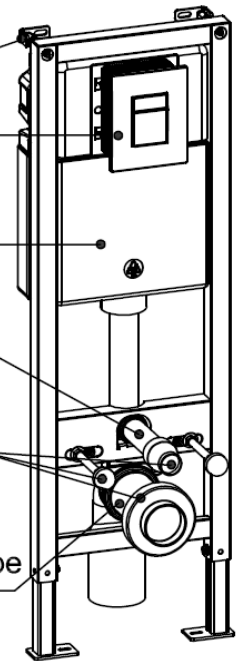
9. Push plate

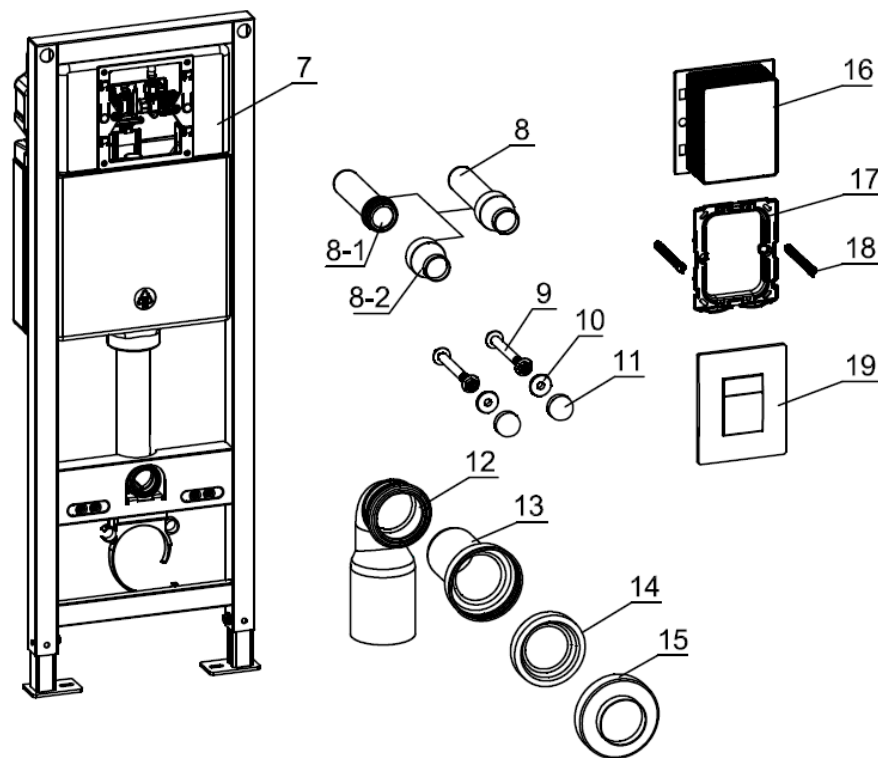
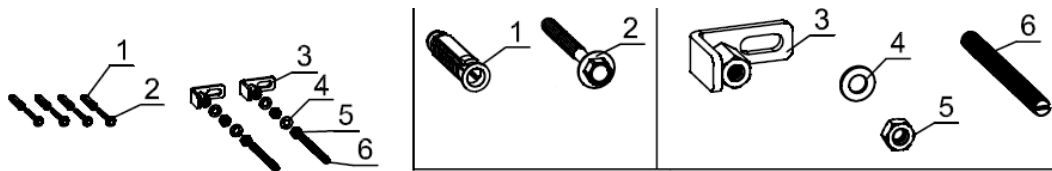
10. EPS noise reduced cover

11. Connection pipe

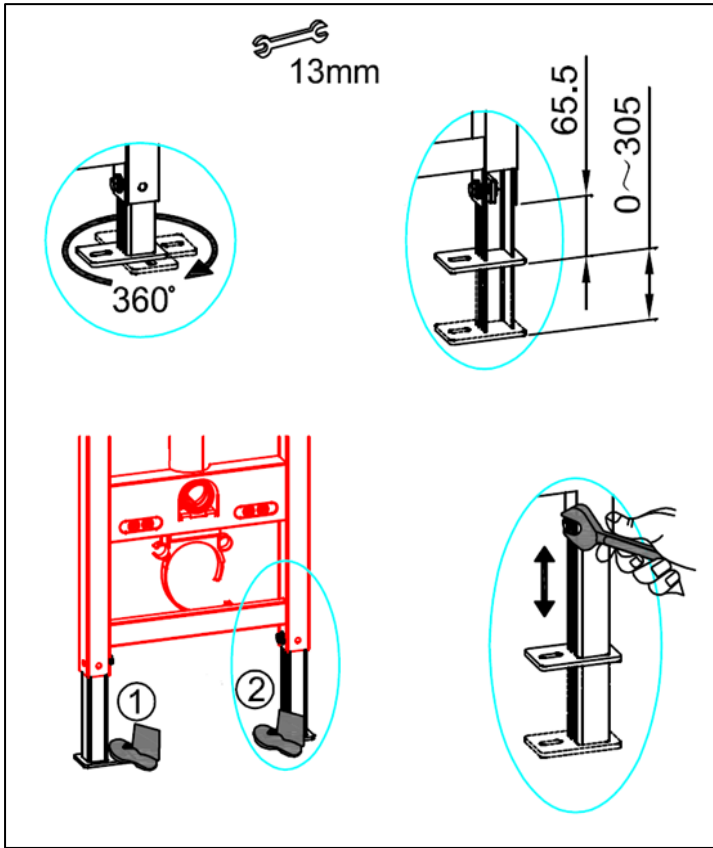
12. Decoration cover

13. Horizontal drain pipe



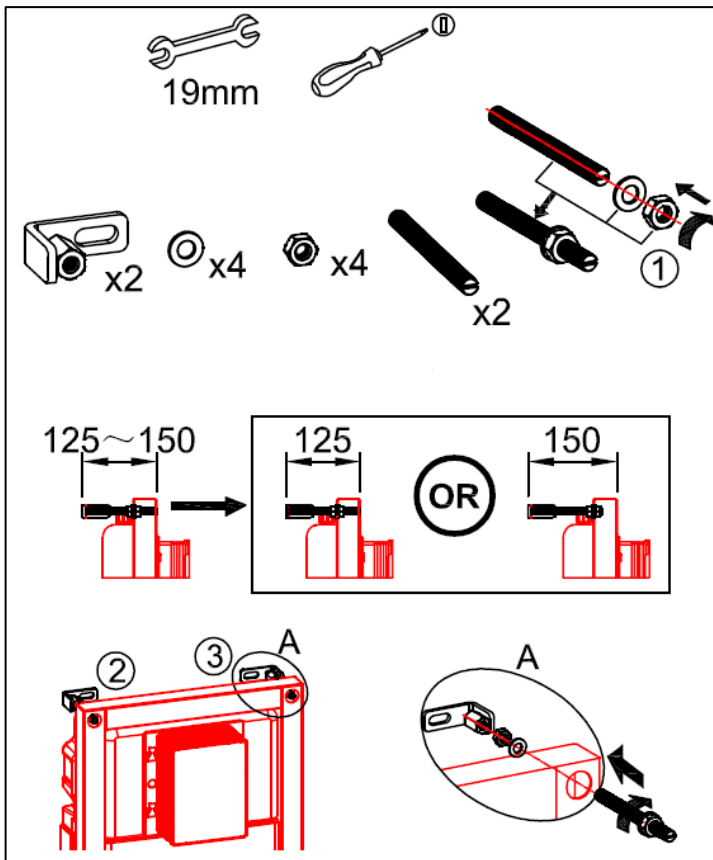


No.	Description	QTY	No.	Description	QTY
1	Wall Plugs	×4	11	Caps	×2
2	Coach Bolt	×4	12	Pan connector	×1
3	L Shape Brackets	×2	13	Soil Pipe Extension	×1
4	Flat Washer	×4	14	Rubber Cone	×1
5	Push Fit Fastening Nuts	×4	15	Debris Stopper for Soil Pipe Extension	×1
6	Fixing Bolt	×2	16	Corrugated Tile Guide & Debris Stopper for Flush Panel	×1
7	WC Frame with Dual Flush Cistern	×1	17	Actuator Panel	×1
8	Flush Pipe Extension & Debris Stopper for Flush Pipe Extension	×1	18	Fixings for Panel	×2
9	Pan Fixing Bolt	×2	19	Flush Panel (Selectable)	×1
10	Flat Washer	×2			



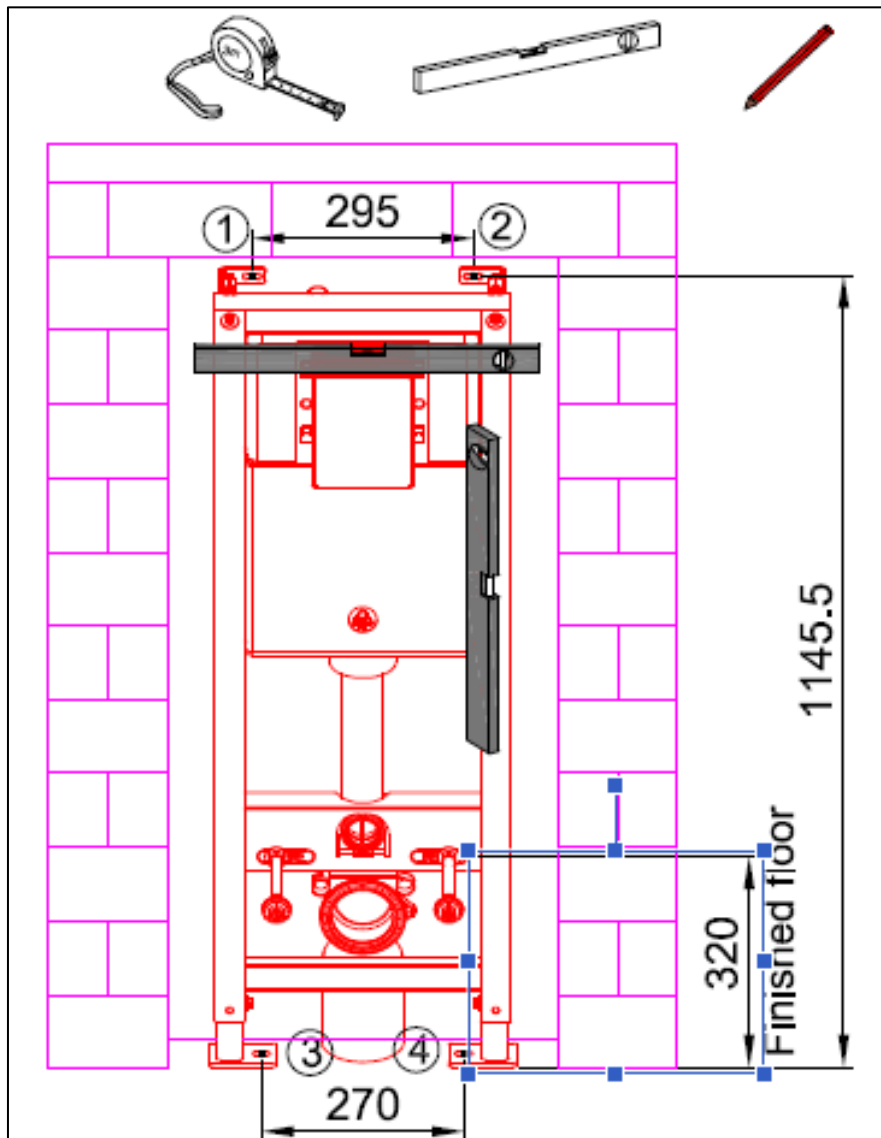
**Step 1**

Set the frame. Ensure that the bolts are re-tightened when the desired height is achieved.



**Step 2**

Place the two L shape brackets into either side of the top frame profile.

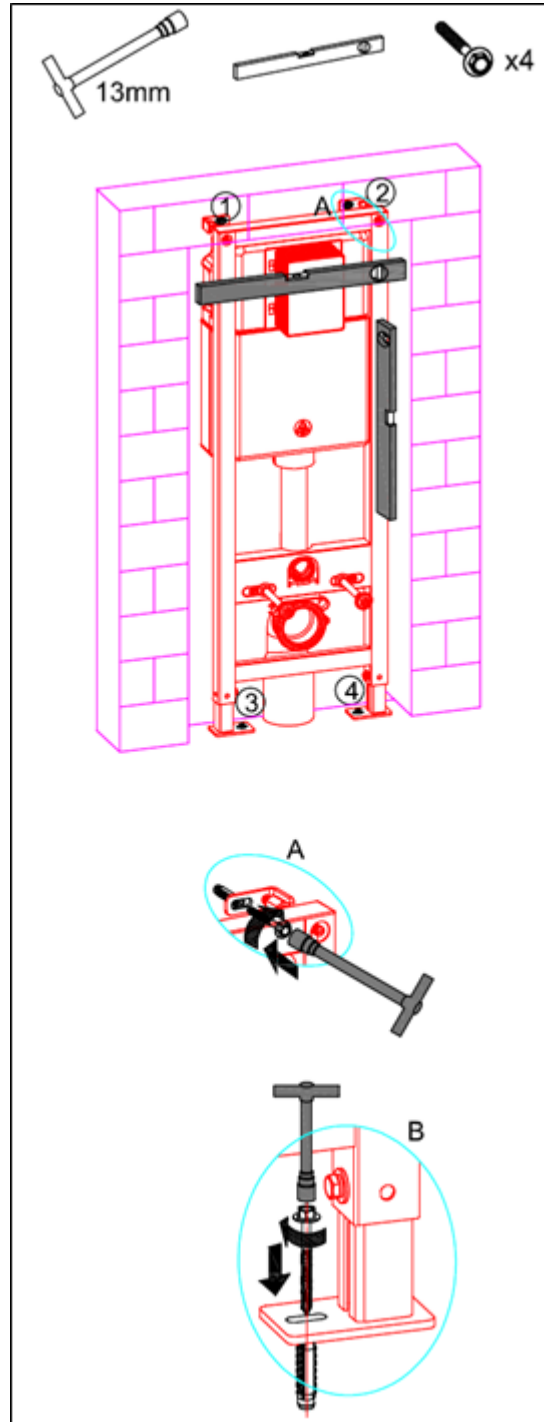
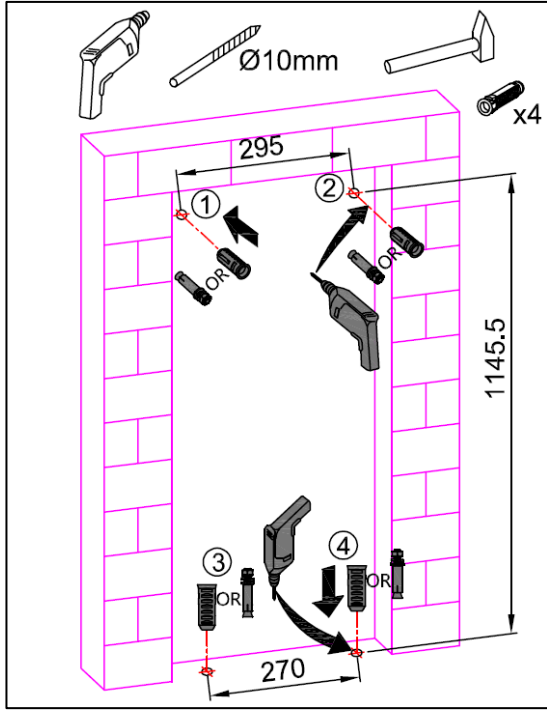


### Step 3

Space the frame off the back wall to the required distance.

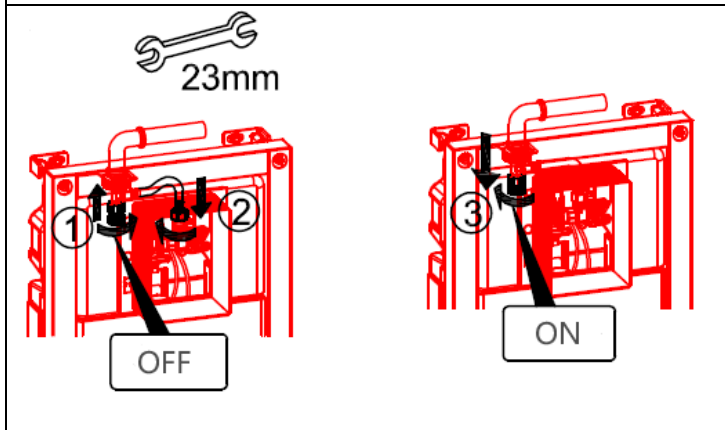
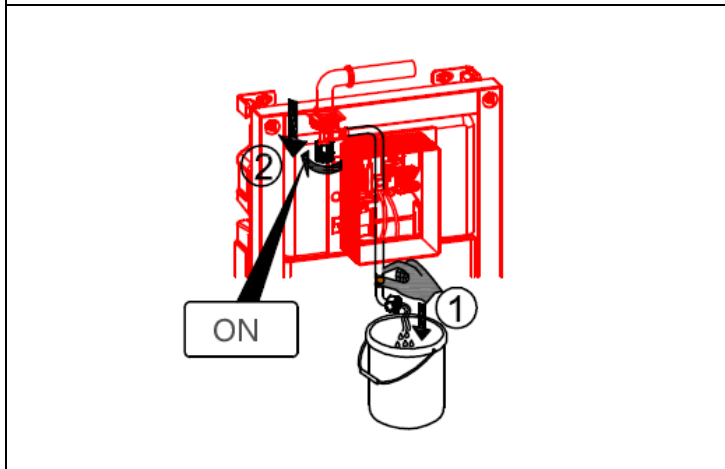
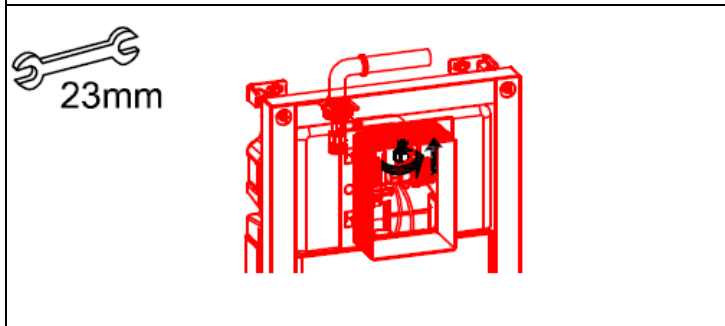
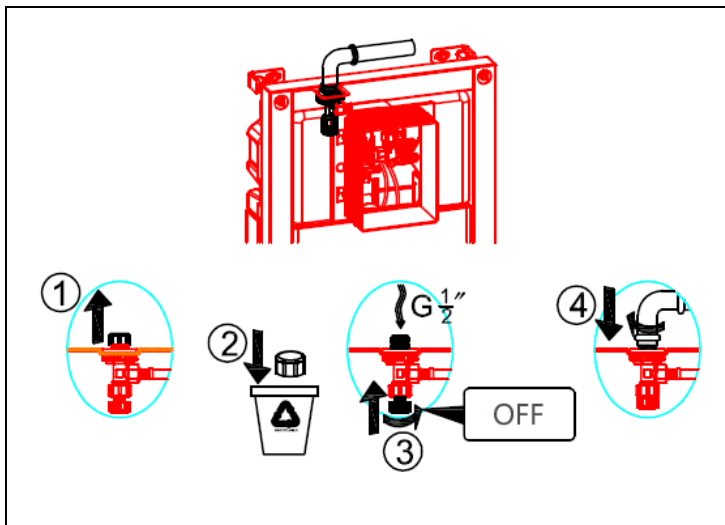
Using a pencil, mark through the four holes in the Frame feet the fixing hole positions, ensuring it is mounted evenly using a level.

Note: The dimension is for reference only. Actual adjustment according to the size of the toilet pan.



#### Step 4

Drill two holes in the wall and two holes in the floor using a drill and 10mm drill bit. Insert the Wall Plugs into the holes. Secure the feet into position by fixing the Bolts. Ensuring it is mounted evenly using a level.

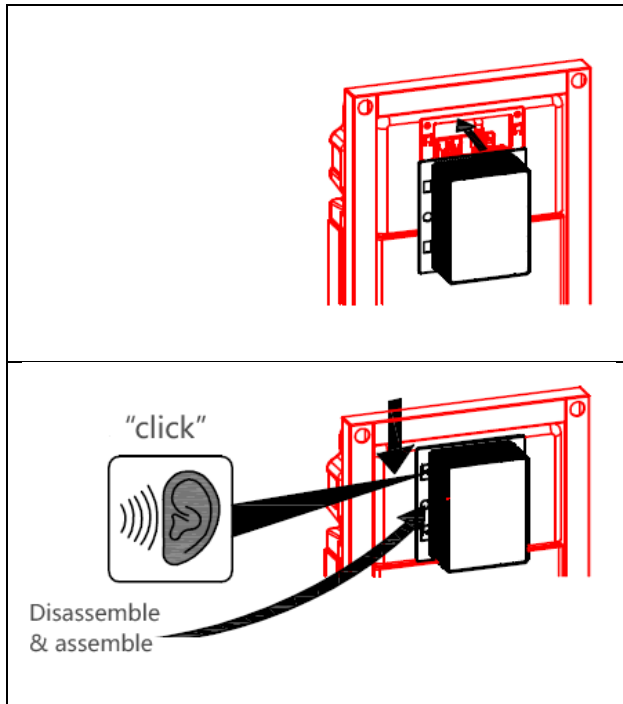


### Step 5

Connect the cold-water connection to the Brass Water Inlet Valve prefixed to the Cistern wall using a thick layer of PTFE Tape.

Keep the water out so that there is no construction debris blocking the inlet valve.

Note: The Brass Water Inlet Valve has an integrated shut off valve. The water supply into the cistern can be isolated by a clockwise turn of the valve either using a straight bladed screwdriver.



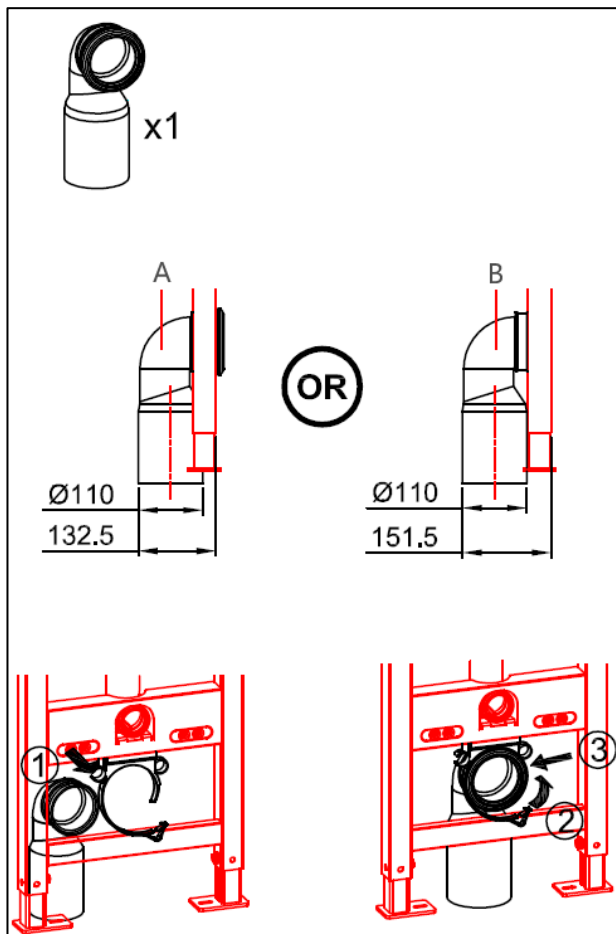
### Step 6

Click in the Debris Stopper until the left and right-side discs protrude and you hear a 'click'.

Note:

To disassemble, press the round tabs on the left and right sides of Debris Stopper at the same time, then push the tabs upward.

Keep it until the wall voids are filled and tiled.

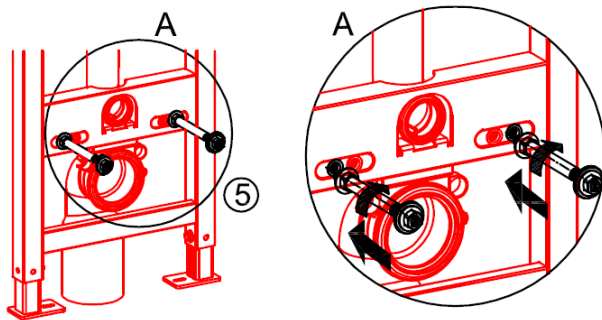
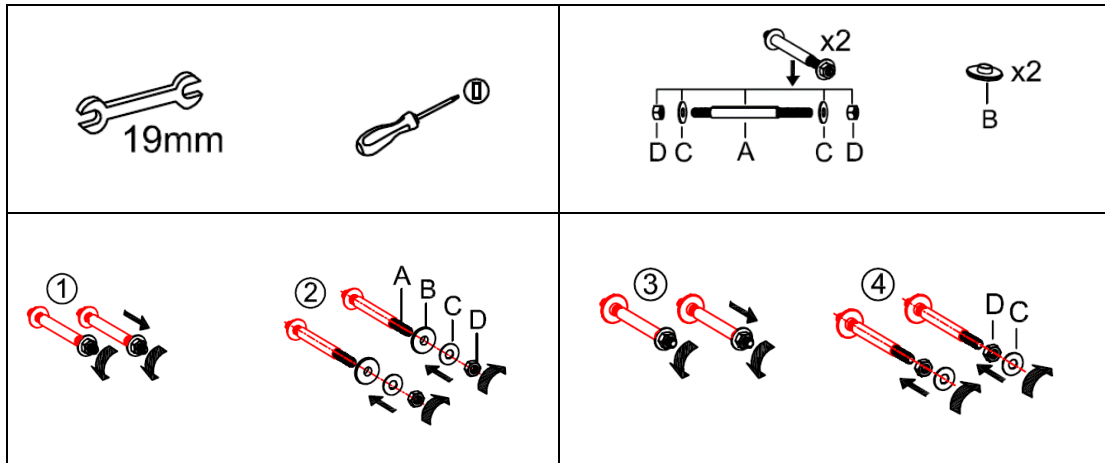


### Step 7

To install the toilet Pan Connector. Offer the soil pipe to the clamp and secure using the clamp.

Connect the Debris Stopper for Flush Pipe Extension and Debris Stopper for Soil Pipe Extension.

Note: Excise the pipe according to actual needs.



### Step 8

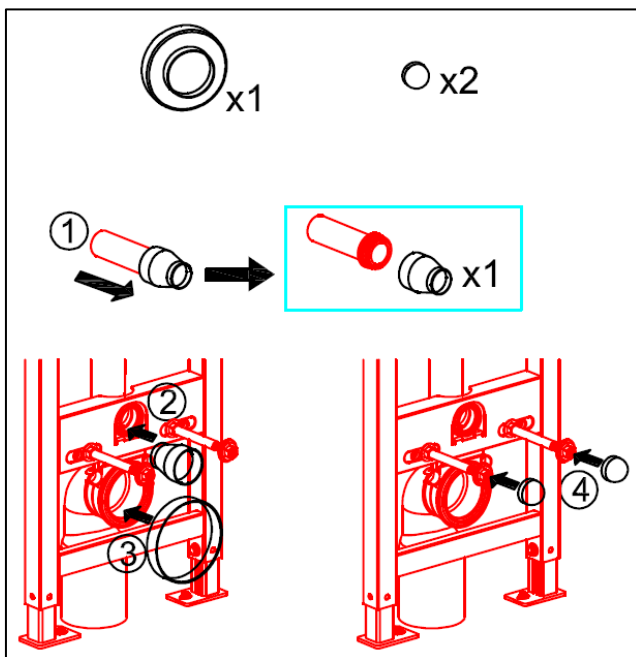
Attach the two Pan Fixing Bolts and two caps for the Pan Fixing Bolts.

Connect the Debris Stopper for Flush Pipe Extension and Debris Stopper for Soil Pipe Extension.

Note:

Install any other pre-wall frames as required and install either timber or metal stud work either side of the frame before then plaster boarding and tiling.

Select the mounting holes according to the hole space on the toilet. 180mm or 230mm



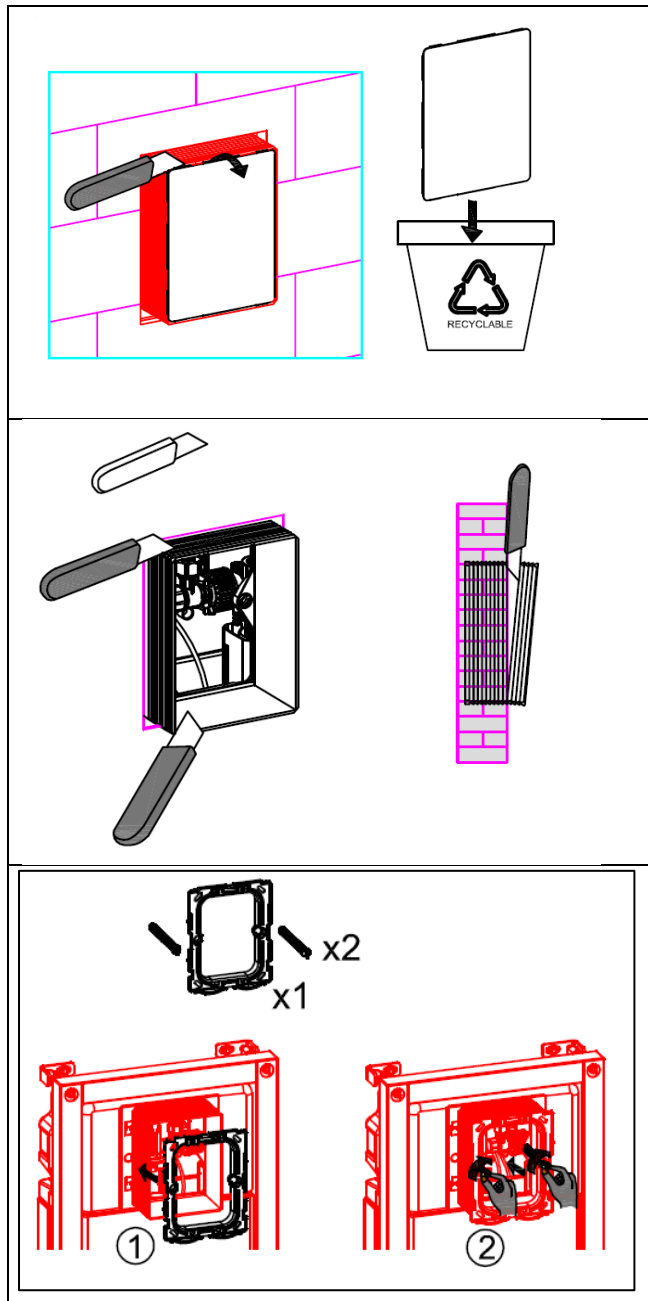
## \* The frame is now ready for 2nd Fix Installation \*

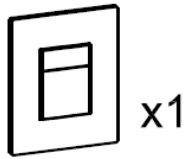
### Step 9

Remove the Debris Stopper and cut off the excess of the Corrugated Tile Guide.

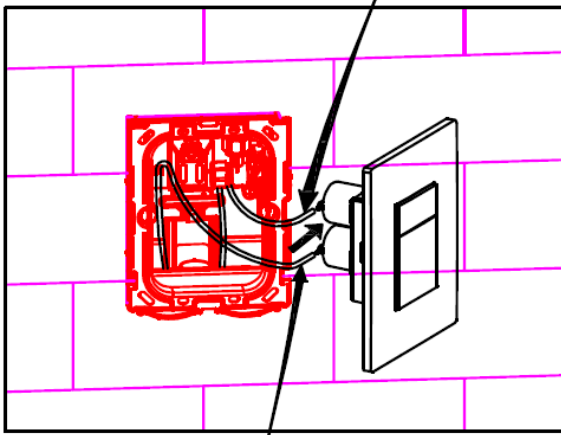
Install the panel using the fixings.

Note: Tighten the fixings clockwise. Loosen the fixing counterclockwise.

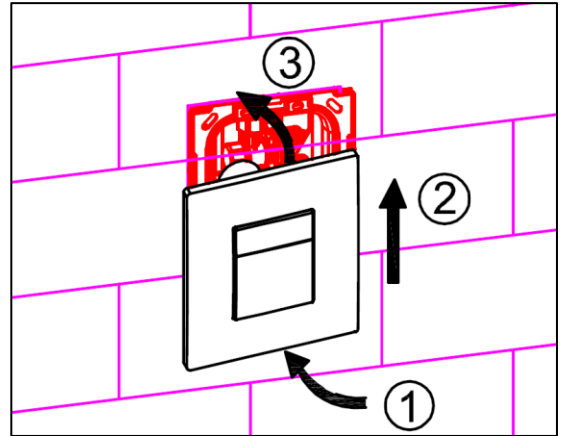




Upper Button Half Flush



Under Button Full Flush

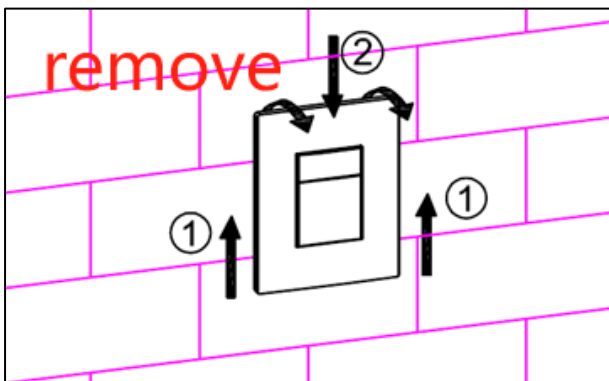


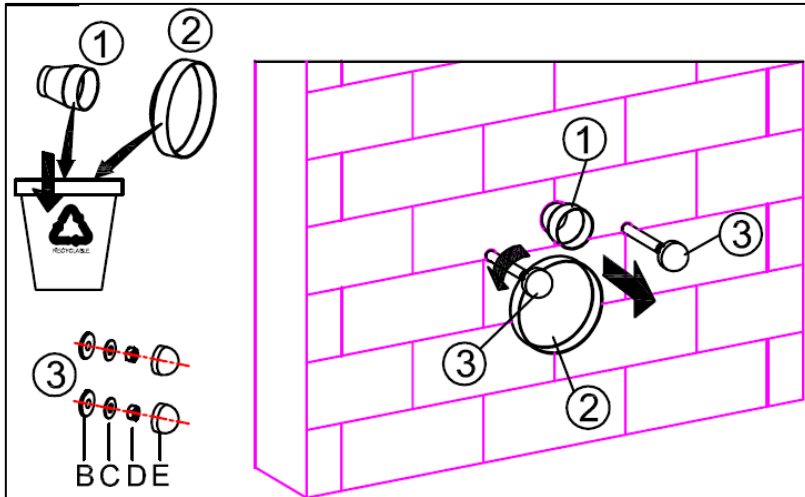
### Step 10

Connect the pipes. Ensure that it is inserted in place.

Place the bottom of the panel first, then push upwards while pressing towards the unit, Operate the flush button to ensure that it is working properly.

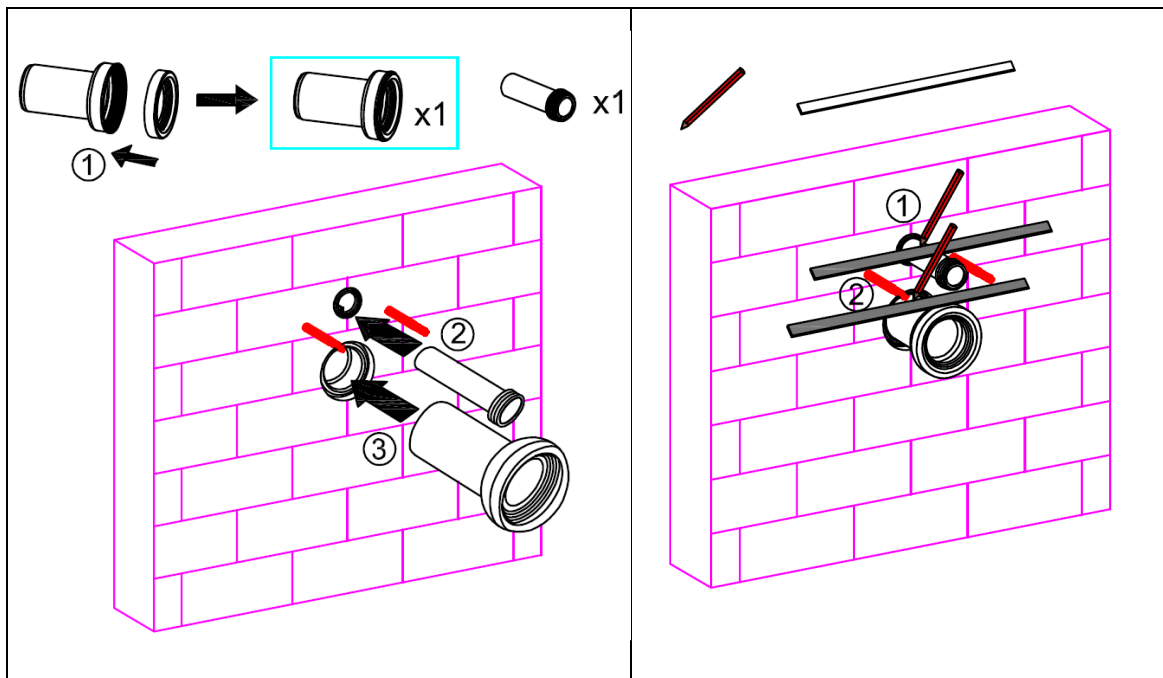
### How to Remove





**Step 11**

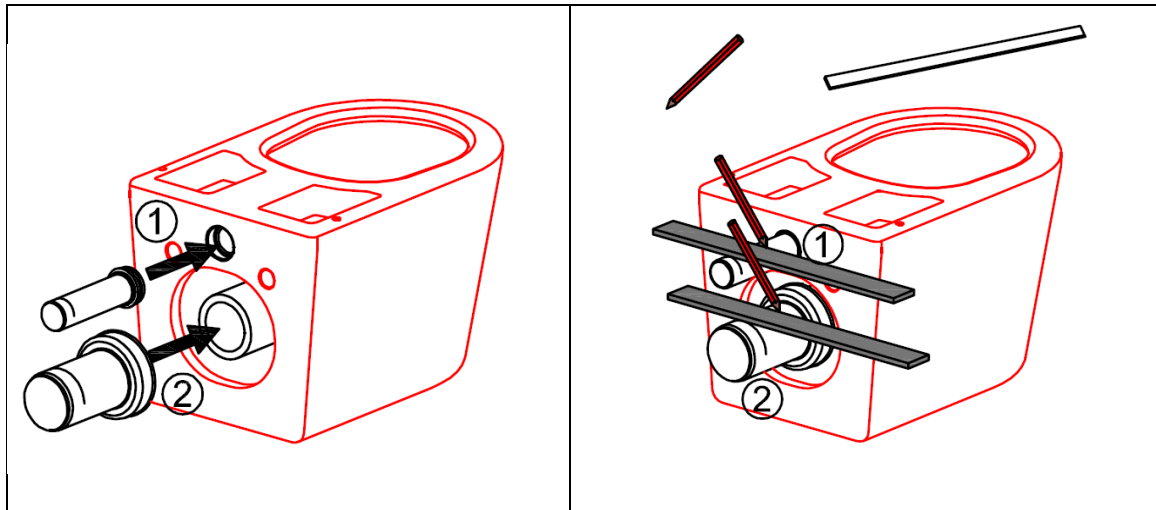
Discard the Debris Stopper for Flush Pipe Extension and the Debris Stopper for Soil Pipe Extension.



**Step 12**

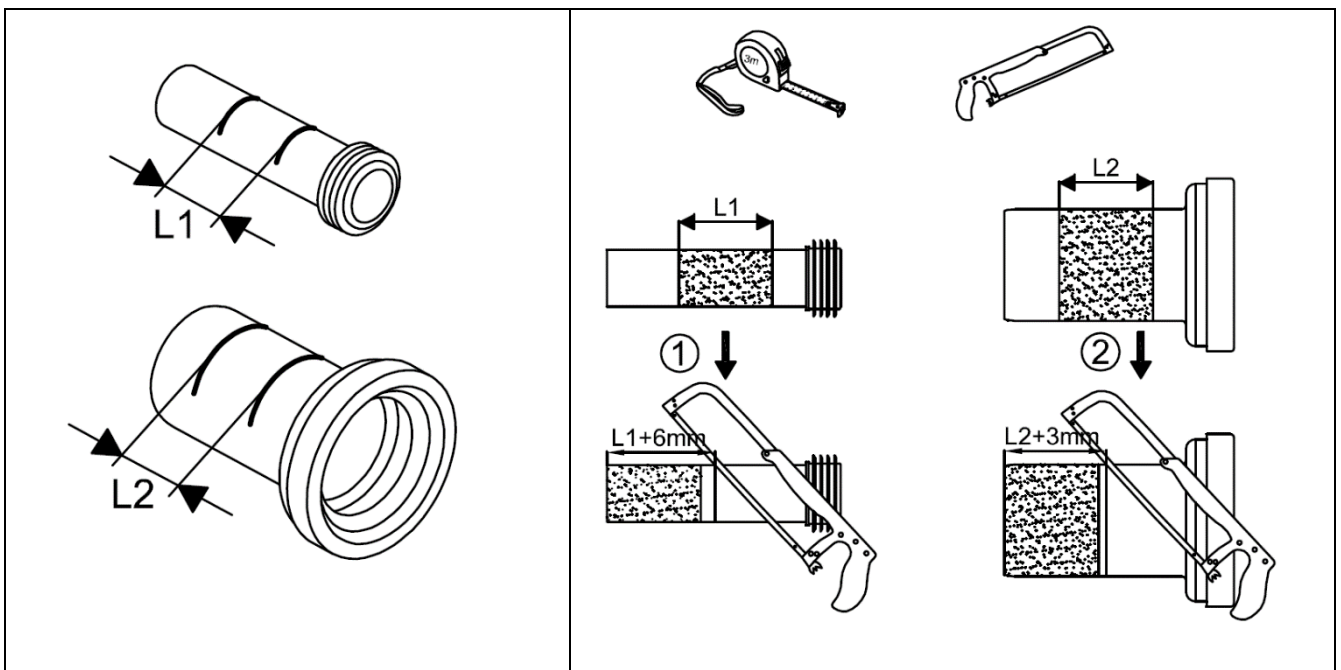
Push the Soil Pipe Extension and its Rubber Cone together until they reach a stop.

Place the Flush Pipe Extension and Soil Pipe Extension completely onto the sanitary unit and mark them where they emerge from the unit.



**Step 13**

Then place the Flush Pipe Extension and Soil Pipe Extension on the toilet pan and mark the pipes where they extend past the edges of the toilet pan.

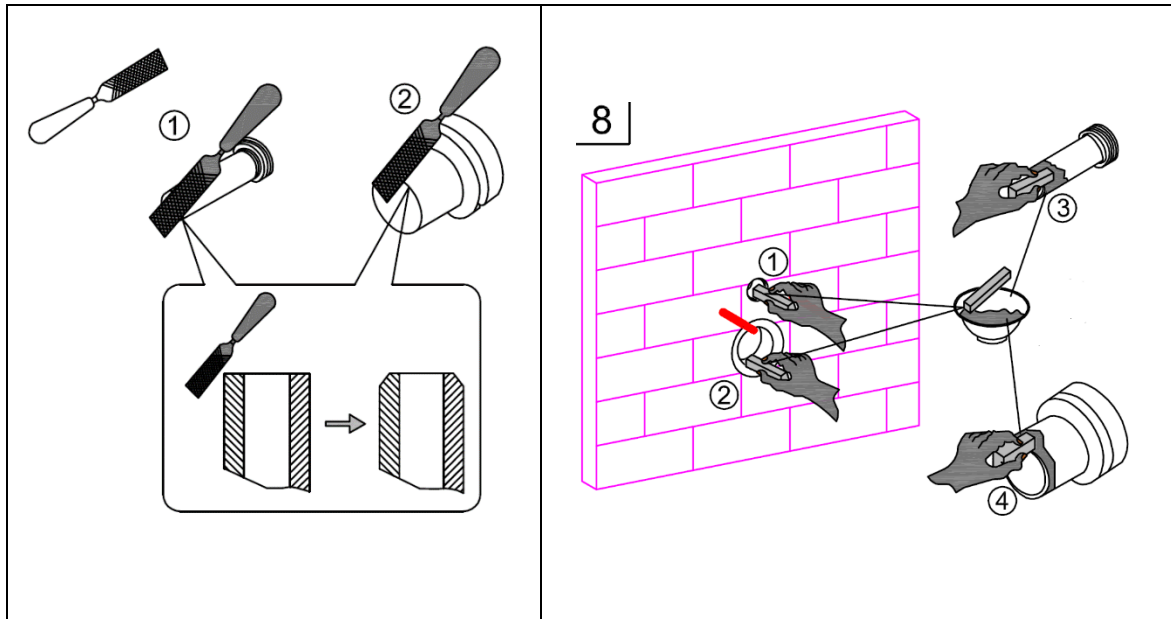


**Step 14**

Measure the space between the marks on the pipes. Carry this measurement over to the end of the pipes and adding 6 mm/3mm, then cut off the end.

Note:

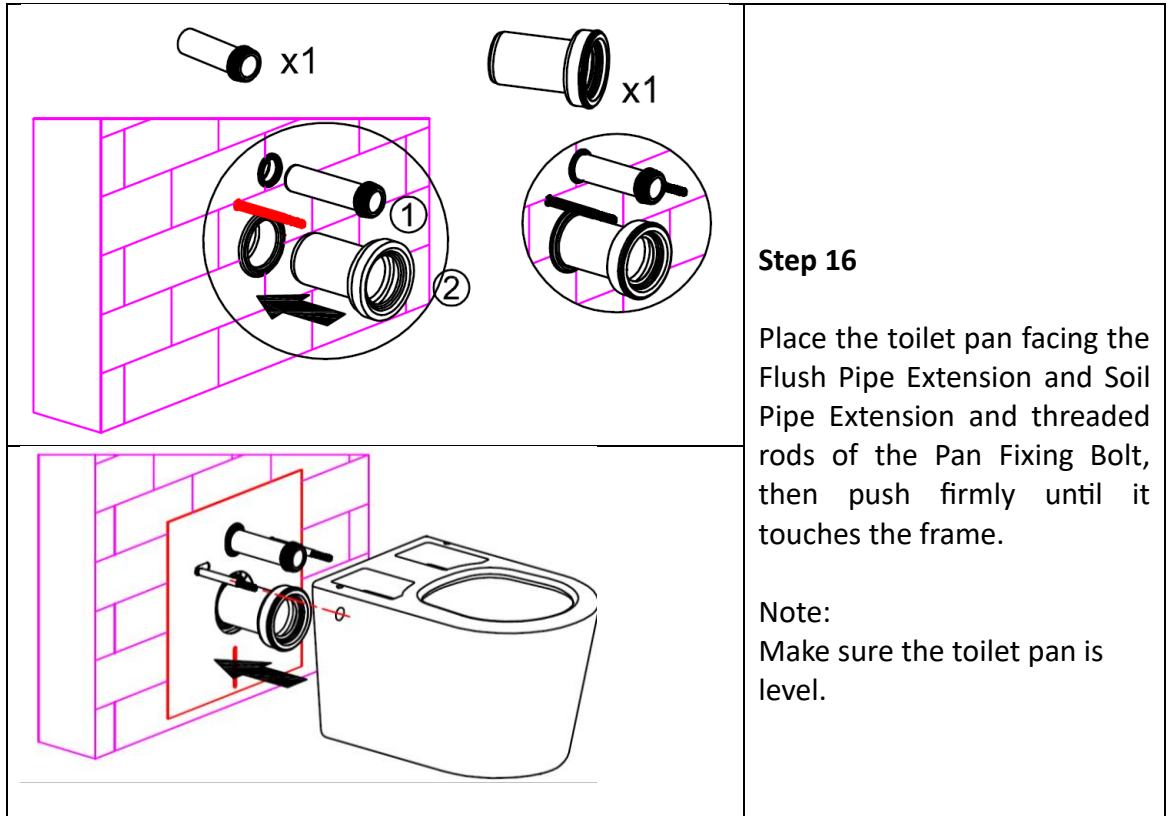
Flush Pipe Extension: adding 6mm; Soil Pipe Extension: adding 3mm



### Step 15

Use the file to smooth the pipe ends.

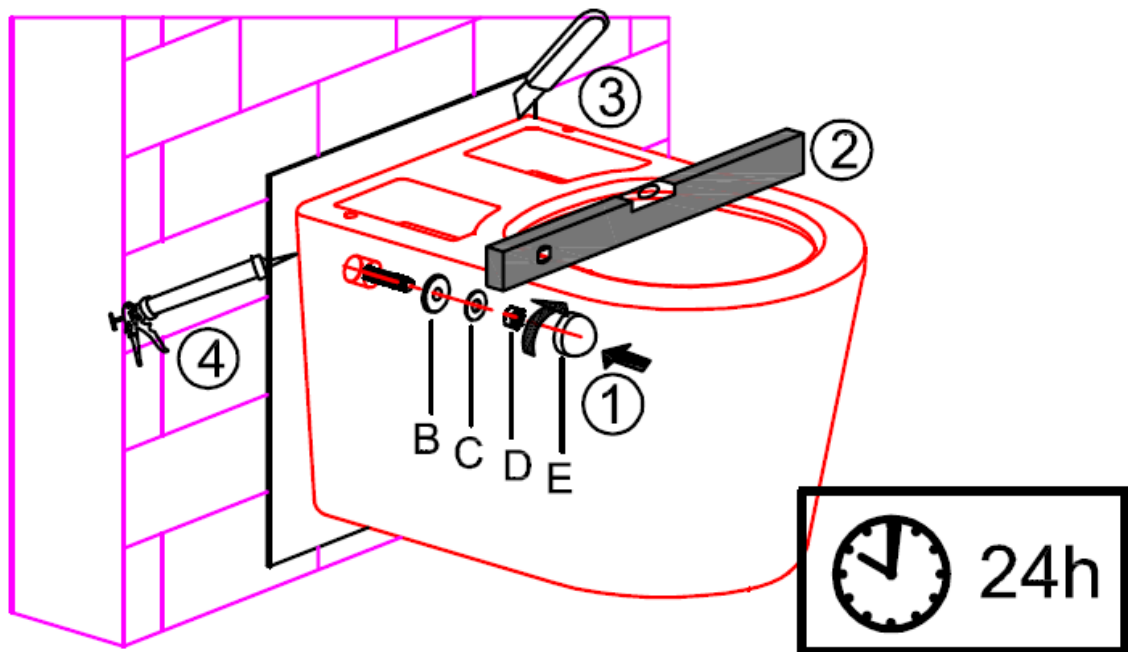
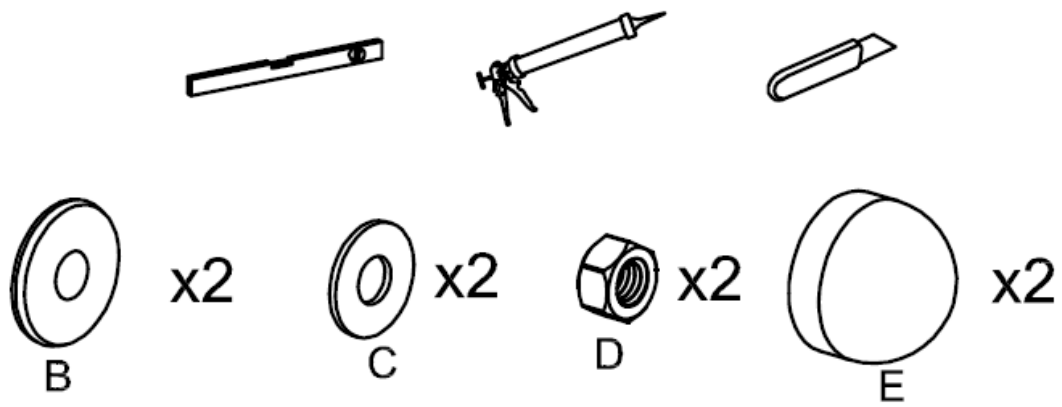
Apply a liquid that acts as a grease.



### Step 16

Place the toilet pan facing the Flush Pipe Extension and Soil Pipe Extension and threaded rods of the Pan Fixing Bolt, then push firmly until it touches the frame.

Note:  
Make sure the toilet pan is level.



### Step 17

Immediately place the washer and nut onto the Fixing Bolt. Apply a silicon seal around the back of the toilet pan and wait 24 hours.