



99599 Installation Manual





Before you start: Check you have the necessary tools for the installation. It is advisable to prepare a clear area to assemble the products. Lay a soft blanket or sheet to protect the metal finish from scratches.

Handle with care: As with all ceramics, our items are breakable. Do not place heavy objects on the product.

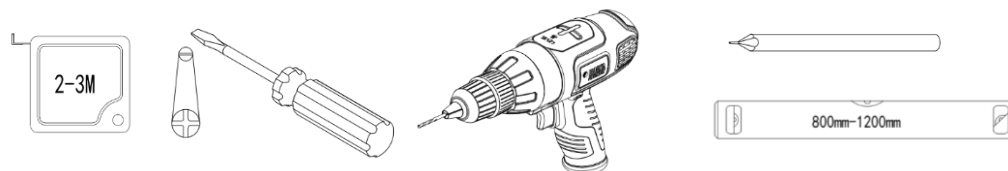
Care and Cleaning

- The products are handmade. Minor surface imperfections are normal due to the material and production process.
- Surfaces should be cleaned with warm soapy water and then dried with a soft cotton cloth. Under no circumstances should bleach or abrasive cleaning products, polishes or detergents be used on the surface and in particular should these materials be used on plated items it is possible that the surface will be damaged.

Important Notes Before drilling

- Place the product in a well-ventilated environment to prevent oxidation due to long-term humidity.
- Check for any hidden cables or pipes in the wall.
- Measure the distance between the mounting holes from the back of the unit before drilling.
- Use a ceramic drill bit if drilling through tile.
- If uncertain about the appropriate wall plugs for your wall, consult a professional or qualified tradesperson.
- Do not use nails to mount the cabinet.
- If the wall surface has irregularities, it might cause distortion of the cabinet body when mounted.

Tools Required



The following fixings are included

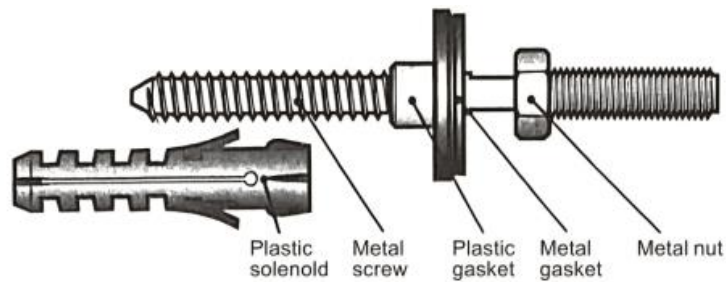


Cabinet Screws

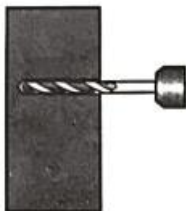
Basin Screws

Install the basin

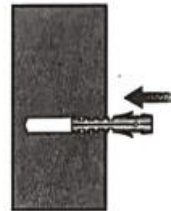
Measure and mark the mounting holes on the wall, ensuring they are level.



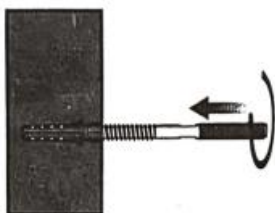
Note: These fixings are suitable for solid walls only. Plasterboard or stud walls may require specialist fixings (not supplied). Caution: Care should be taken when drilling walls and floors to avoid any sunken wires or pipes



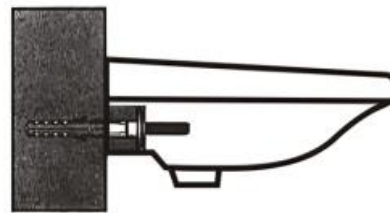
1. Drill two holes in the required position on the wall using a 14mm masonry drill bit, to a depth of 75mm



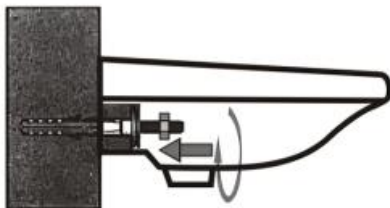
2. Push a wall plug into each hole



3. Screw a fixing bolt into each fixing plug using an 8 mm spanner until the spanner contacts the wall!



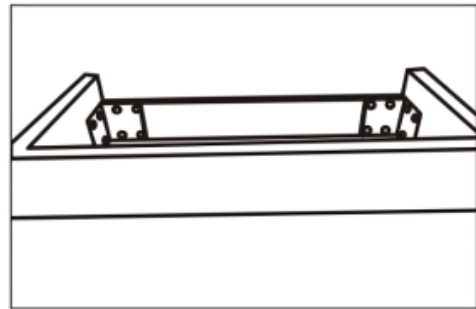
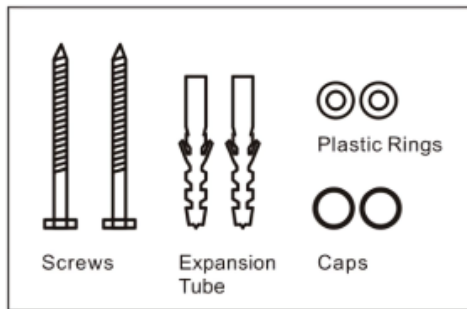
4. Place the basin in position against the wall locating the fixing bolts through the holes in the rear of the basin. Push a plastic washer, followed by a metal washer, onto each fixing bolt



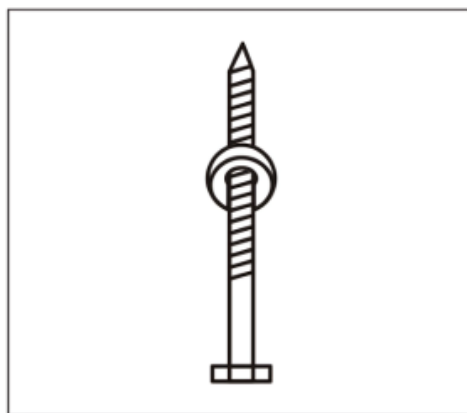
5. Screw a metal nut onto each fixing bolt to secure the basin. Caution: Do not over-tighten, as this may damage the ceramic

Install the cabinet

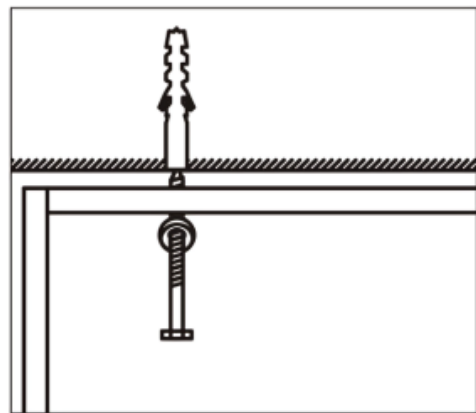
Measure and mark the mounting holes on the wall, ensuring they are level.



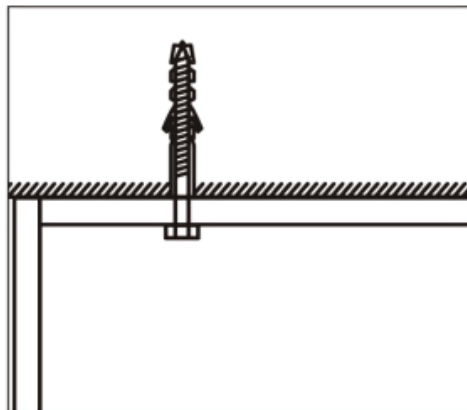
These Two Holes Need To Install.



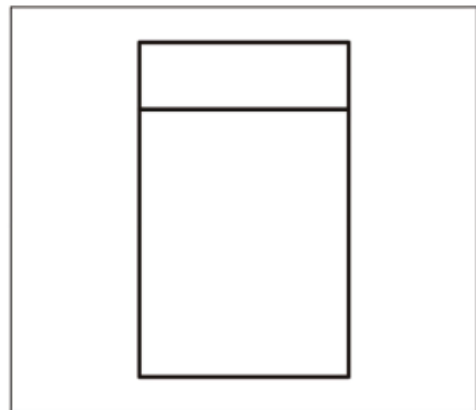
Using The Screw Through The Plastic Rings.



Install The Expansion Tube Into The Wall.
Install The Screw Like The Above Picture.



Make The Cap On It.



This Is The Finished Product.