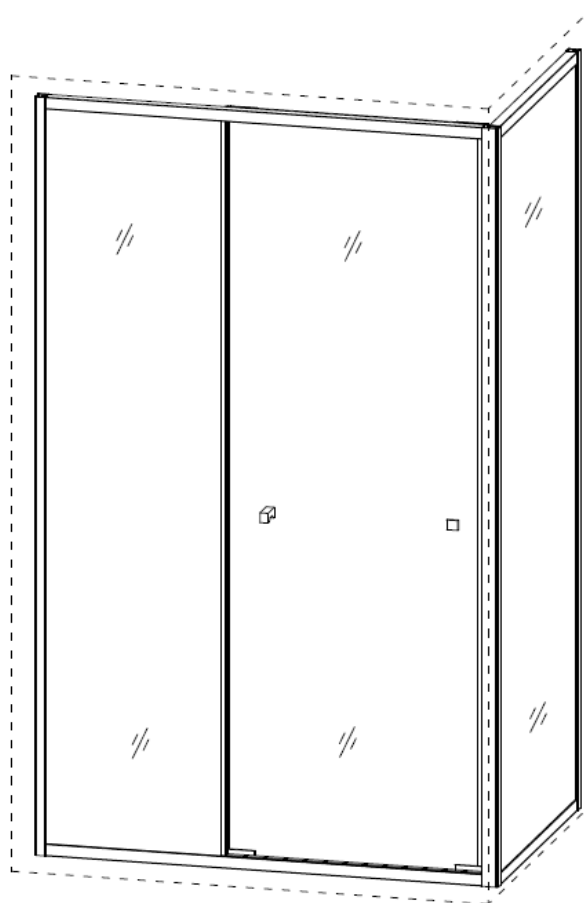




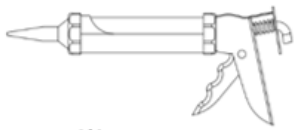
**DUROVIN**  
BATHROOMS



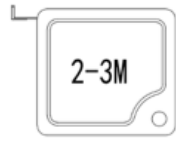
**PO243S3 (243S3-102+103)**

**Installation manual**

# Tools Required



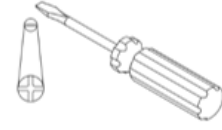
Silicone Gun



Tape Measure



Scissors



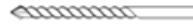
Phillips Screwdriver



Hammer



Allen Keys



Drill Bit



Pencil



Power Drill



Level

Two people required. We recommend that a technically competent installer should undertake this installation.

Be sure you have all included parts and tools required before beginning installation and that you have plenty of space for assembly.

If you have ordered this shower enclosure with one of our shower trays, **please note** that tiling should be done before the shower tray is installed. This is so that the shower tray can be pushed up against the tiles and sealed with silicone.

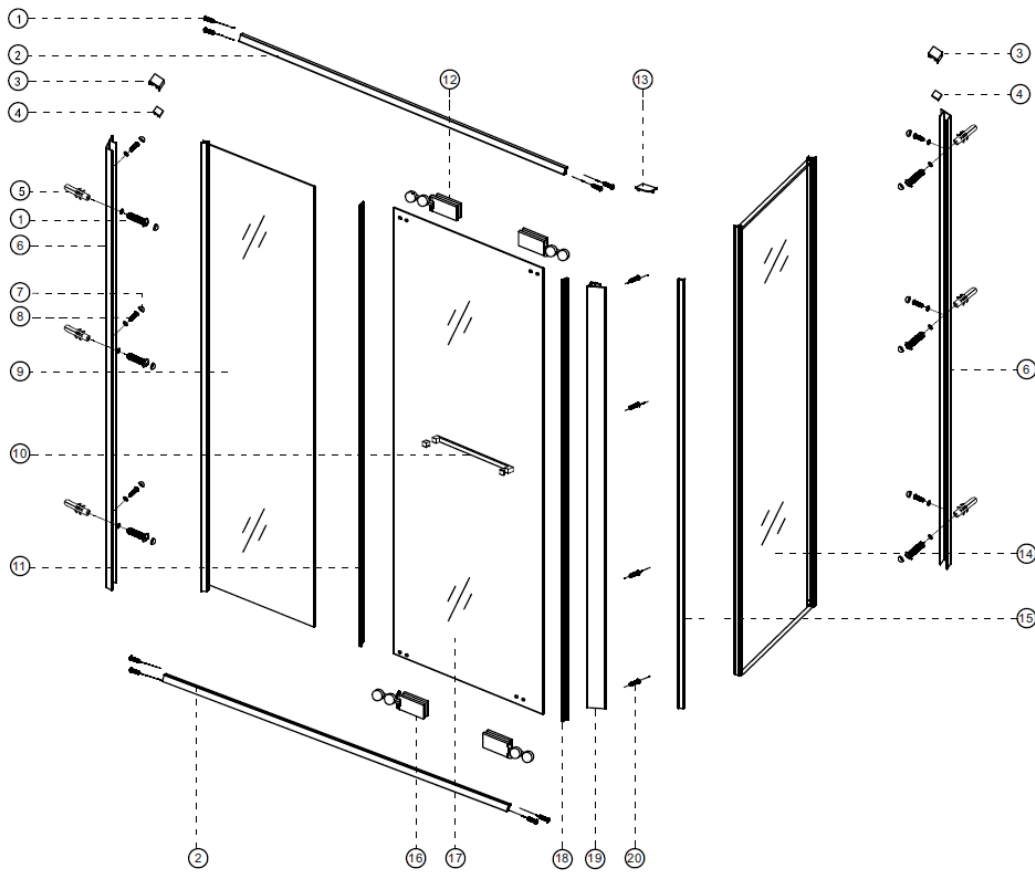
## PRE-INSTALLATION AND TECHNICAL REQUIREMENTS







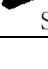
- All dimensions are shown in millimetres, except where otherwise indicated.
- Ensure that the enclosure set is fitted to a level floor and vertical wall surface.
- This instruction manual is applicable for both pre-tiled wall and plain walls.
- The wall fixings included with this product are suitable for solid walls only. Plasterboard or stud walls may require specialist fixings (not supplied).
- Due to the possibility of residual spray, the area around the outside of the shower tray should be tiled, or made otherwise water resistant.

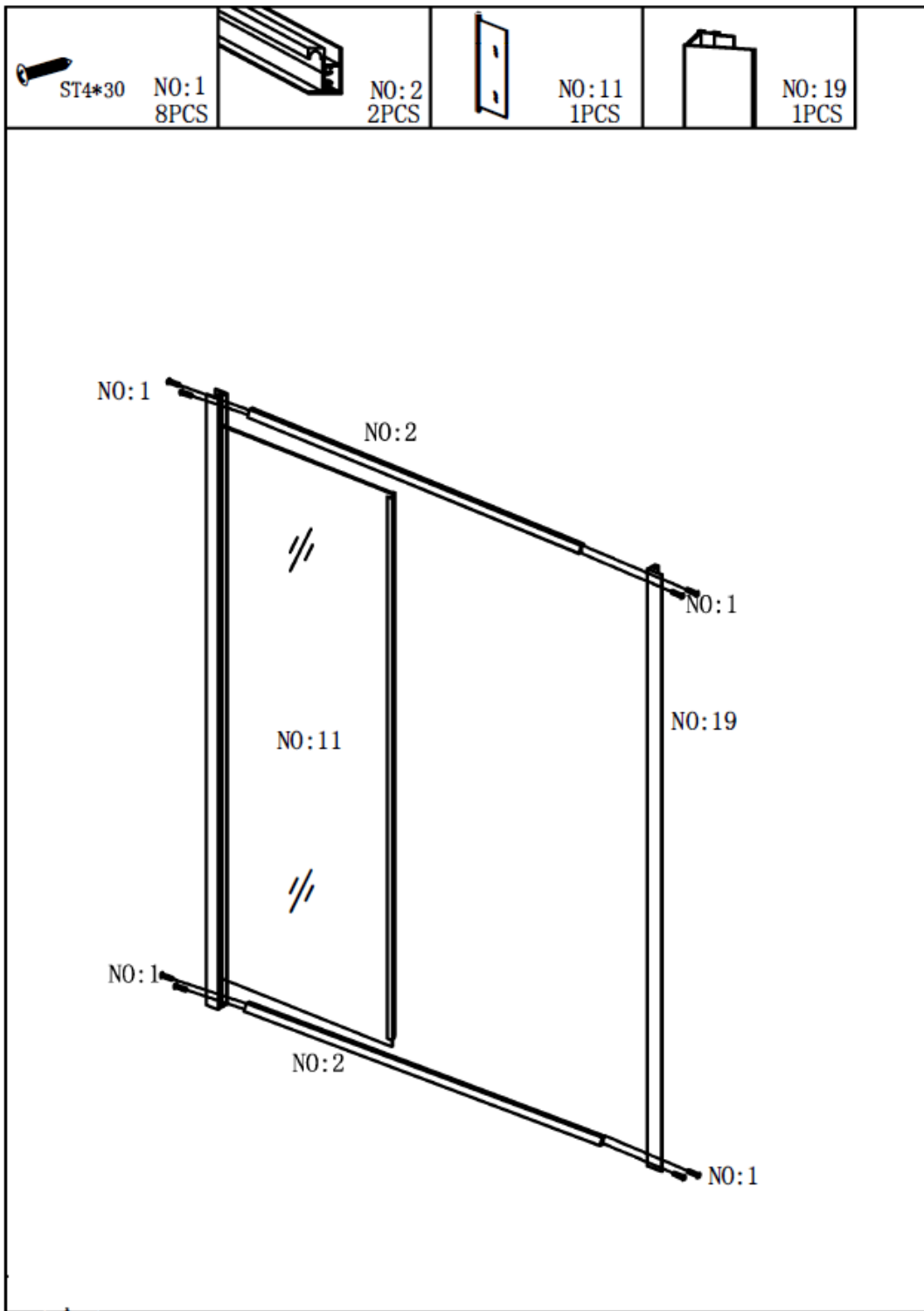
## IMPORTANT SAFETY NOTES

- Under no circumstances should you attempt to drill through the glass, damage or injury may occur
- Please handle all glass with care, avoiding knocks and shock loading to all sides and edges. Safety glass cannot be reworked.
- Care should be taken when drilling into walls to avoid hidden pipes or electrical cables.

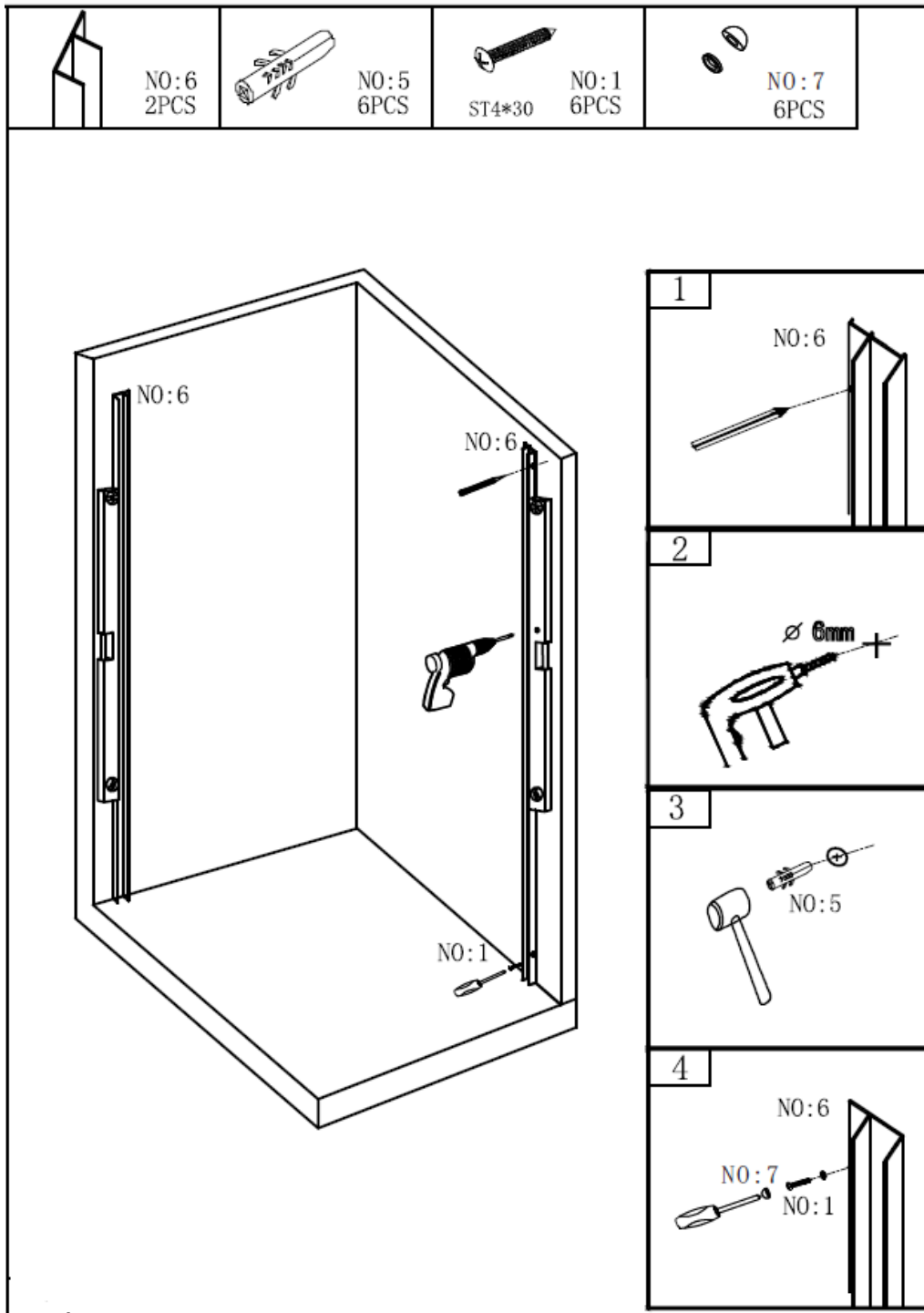
# Included Parts



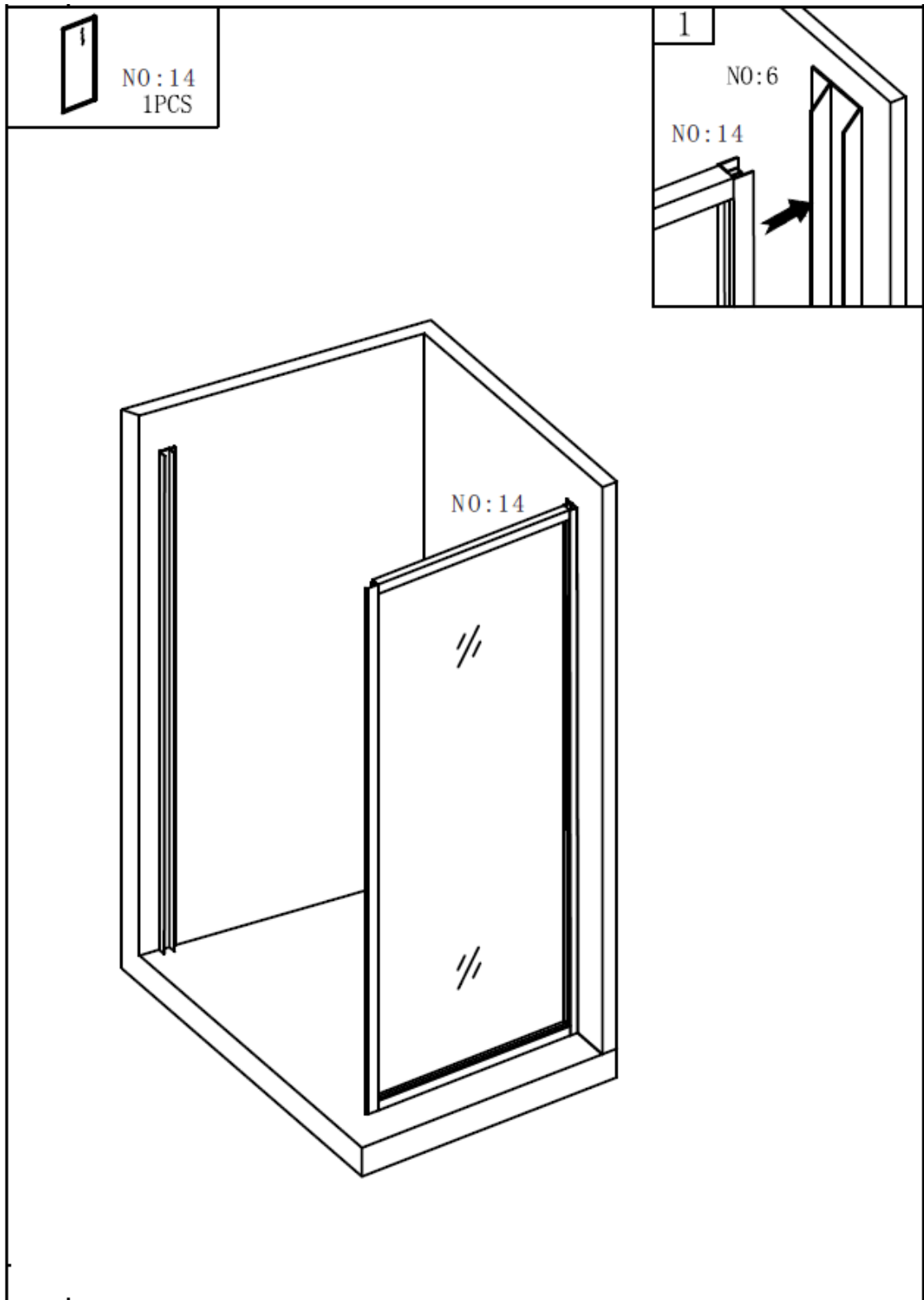
Ref	Description	Illustrations	Qty	Ref	Description	Illustrations	Qty
1	Screws	 ST4*30	22	11	Seal		1
2	Frames		2	12	Rollers	 L R	2
3	Caps		2	13	Caps		1
4	Caps		2	14	Door Panel		1
5	Wall Plugs		6	15	Magnetic Strip		1
6	Wall Profiles		2	16	Rollers	 L R	2
7	Caps		12	17	Side Panel		1
8	Screws	 ST4*10	6	18	Magnetic Seal		1
9	Fix Panel		1	19	Frame		1
10	Handle		1	20	Screws	 ST4*12	4



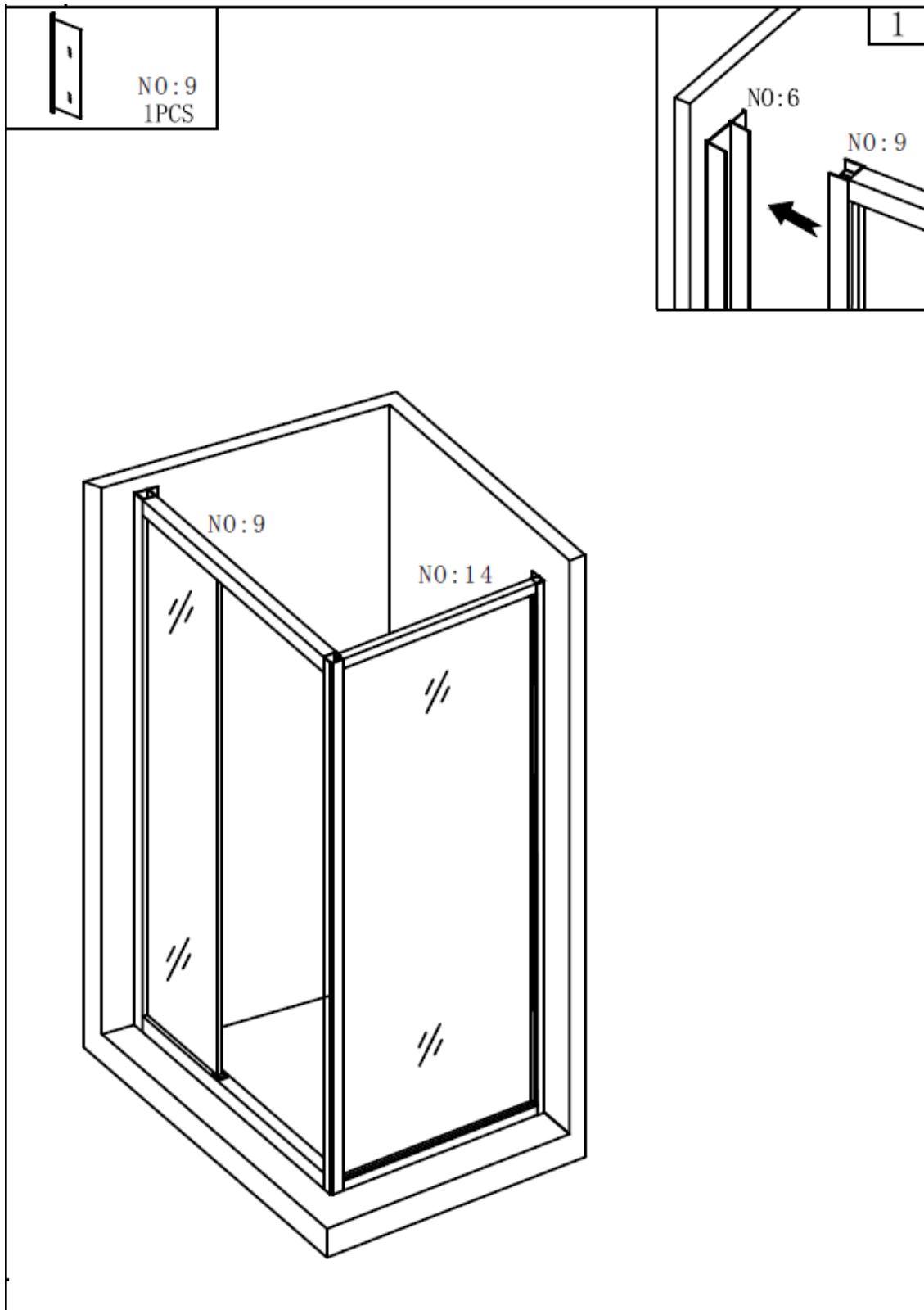
1. Install the frames on the fix panel, secured with screws.



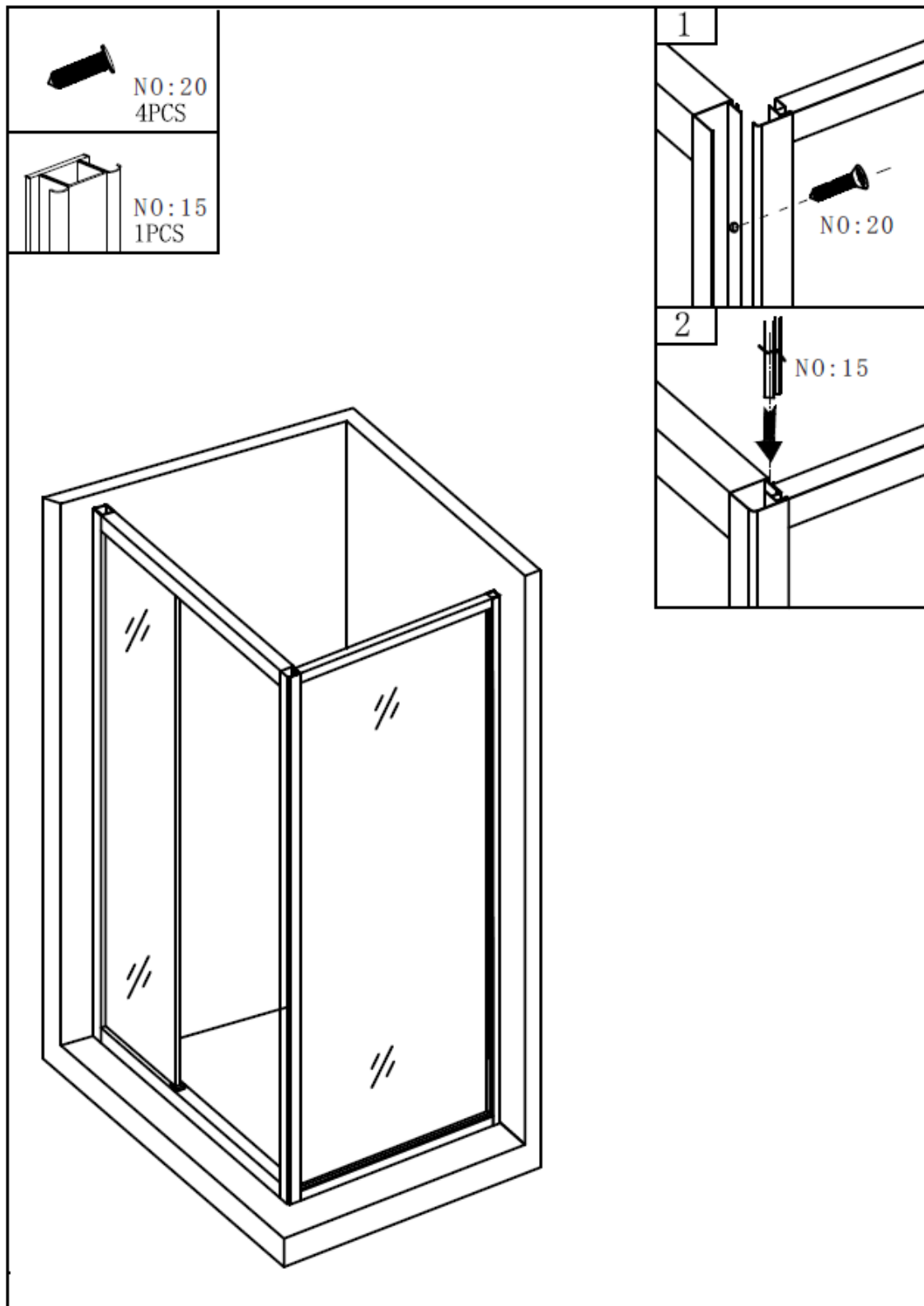
2. Check with a spirit level that the Aluminium Wall Profile is level with the wall.
3. Mark with a pencil where holes will be drilled.
4. Drill holes and insert wall plugs.



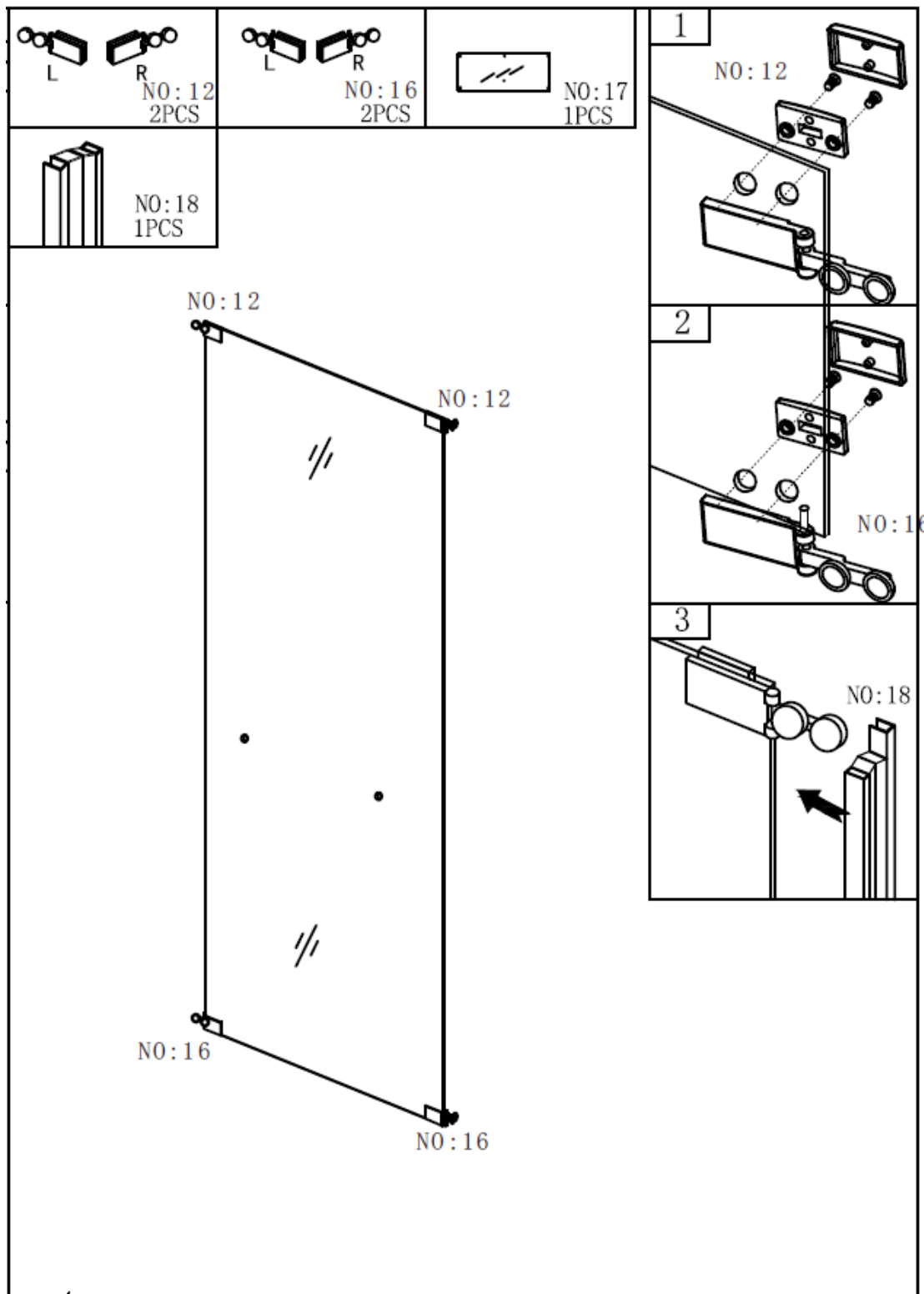
5. Attach side panel to the aluminium wall profile.



6. Attach Fix panel to the aluminium wall profile

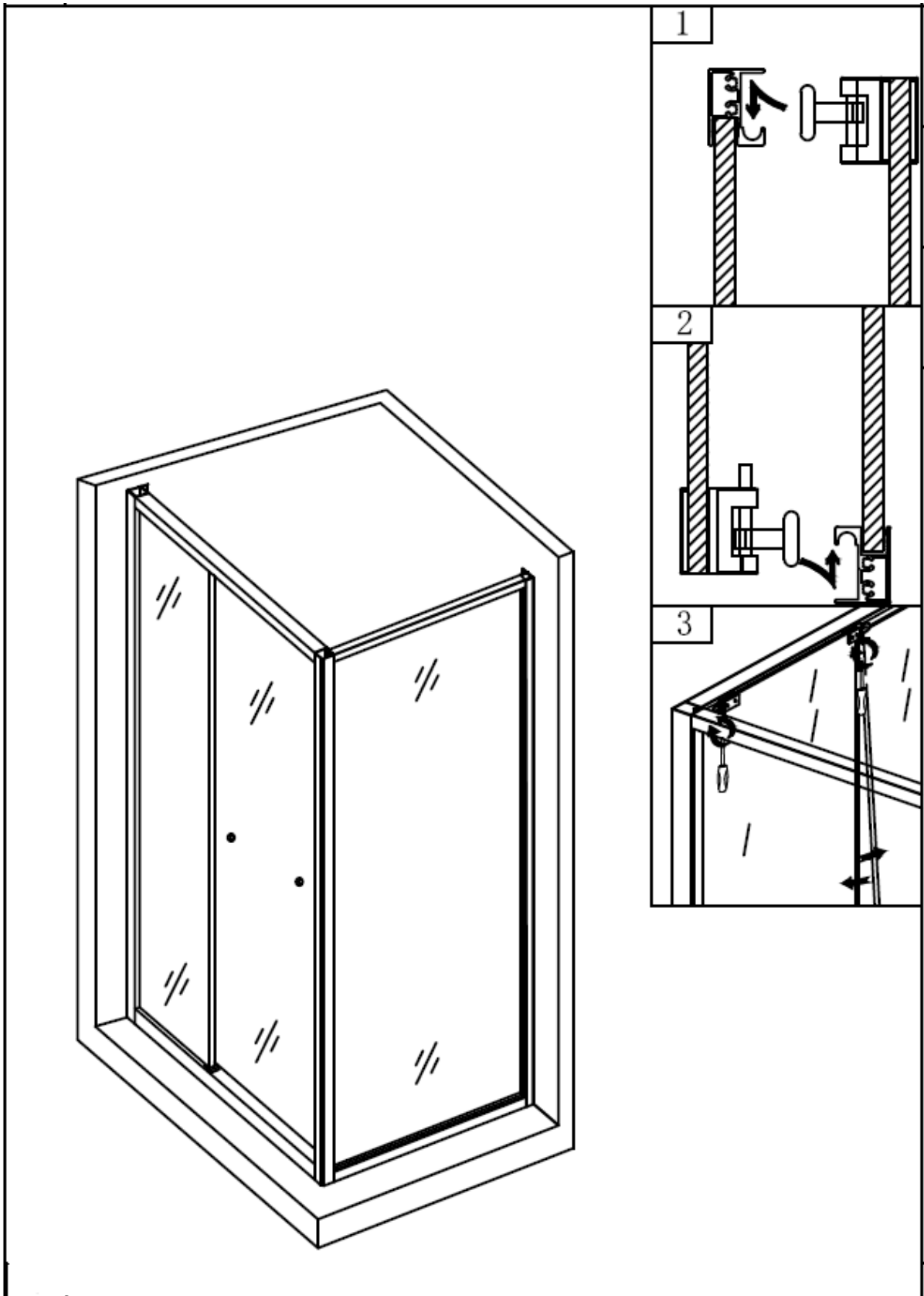


7. Connect and secure the frames of the Door and side panels, attach magnetic stripe



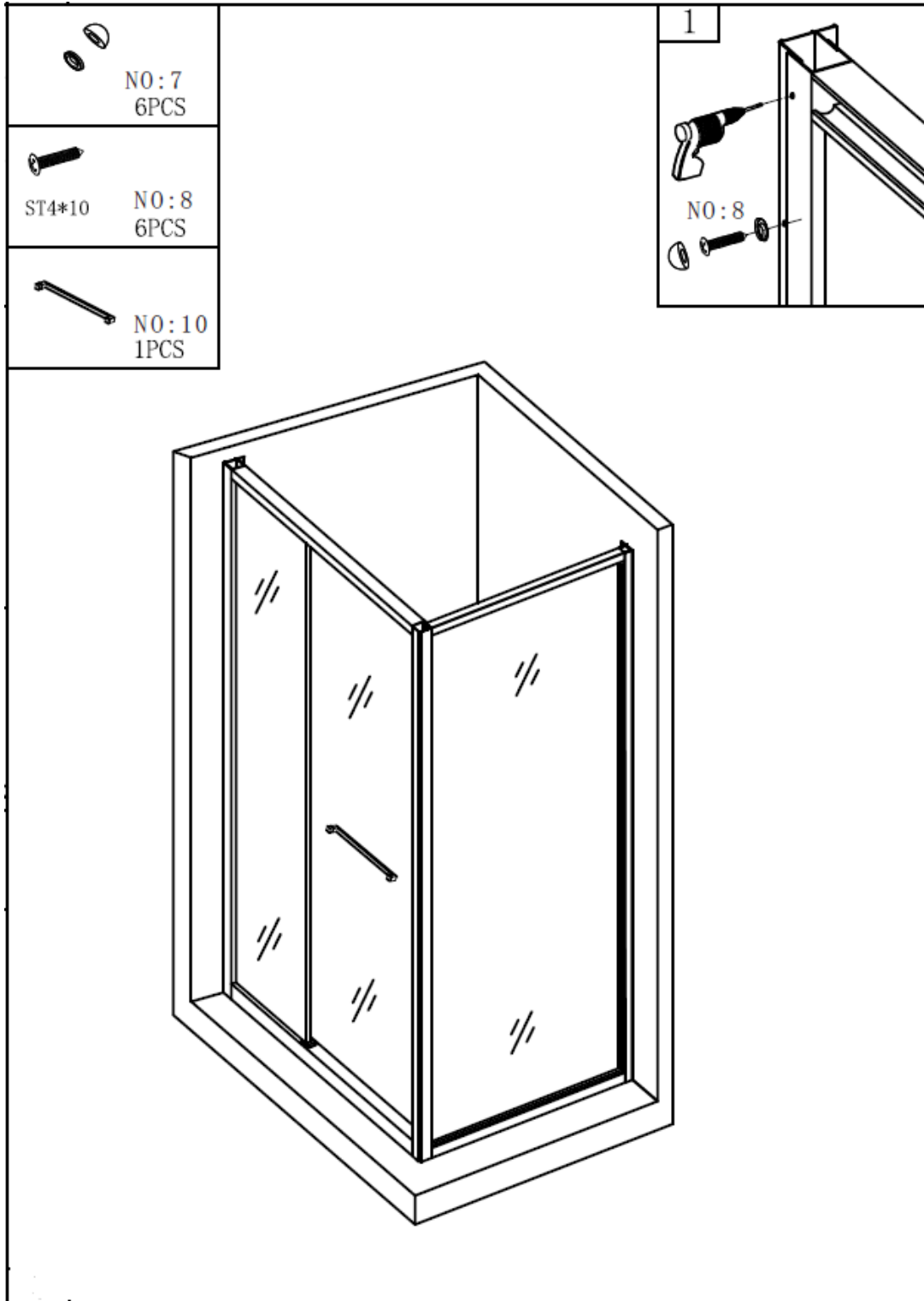
8. Attach the rollers magnet seal and to the door panel

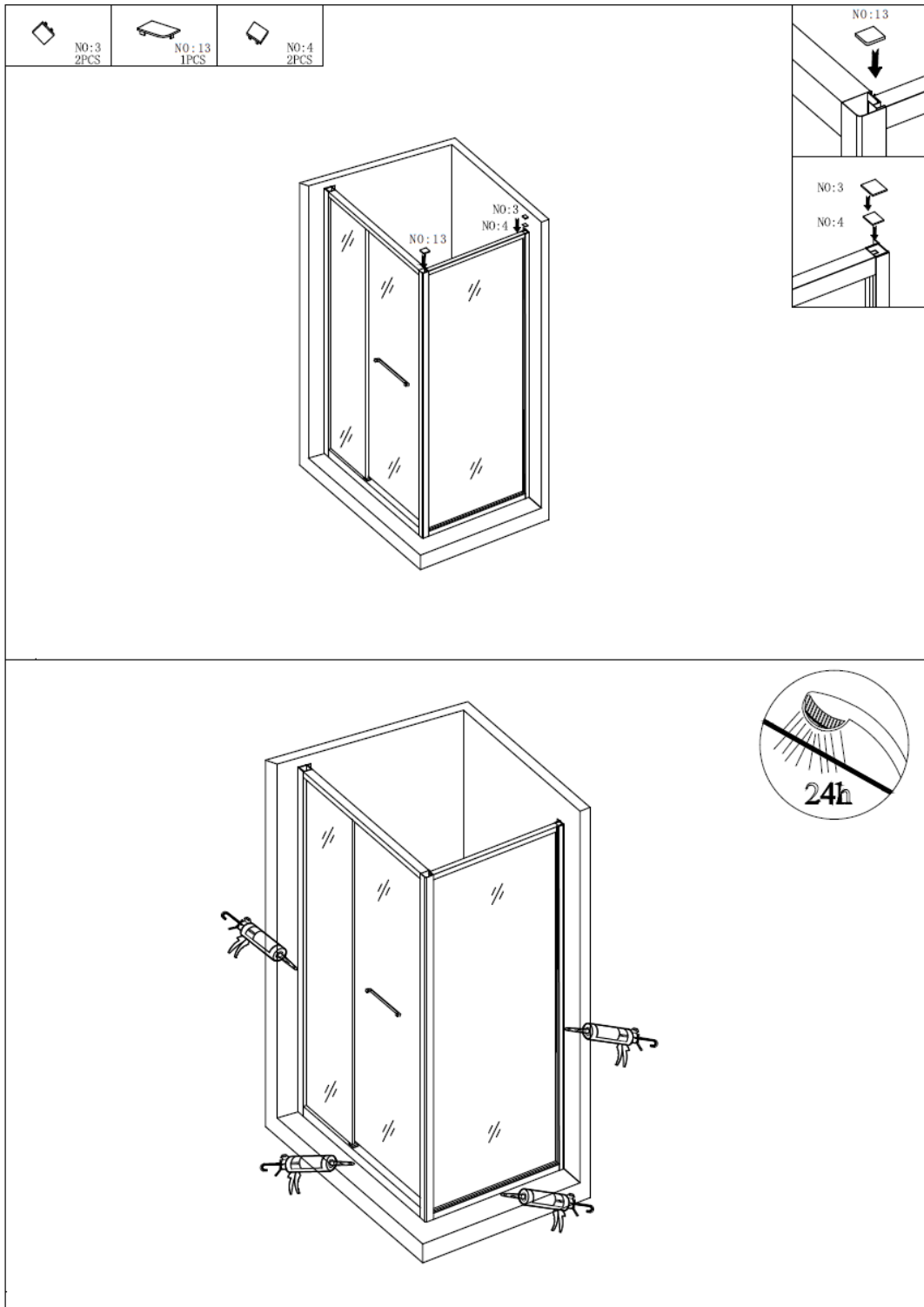
9. Install the door



10. Install the screws

11. Install the handle





12. Attach the caps.

13. Silicone and allow to dry for 24 hours.